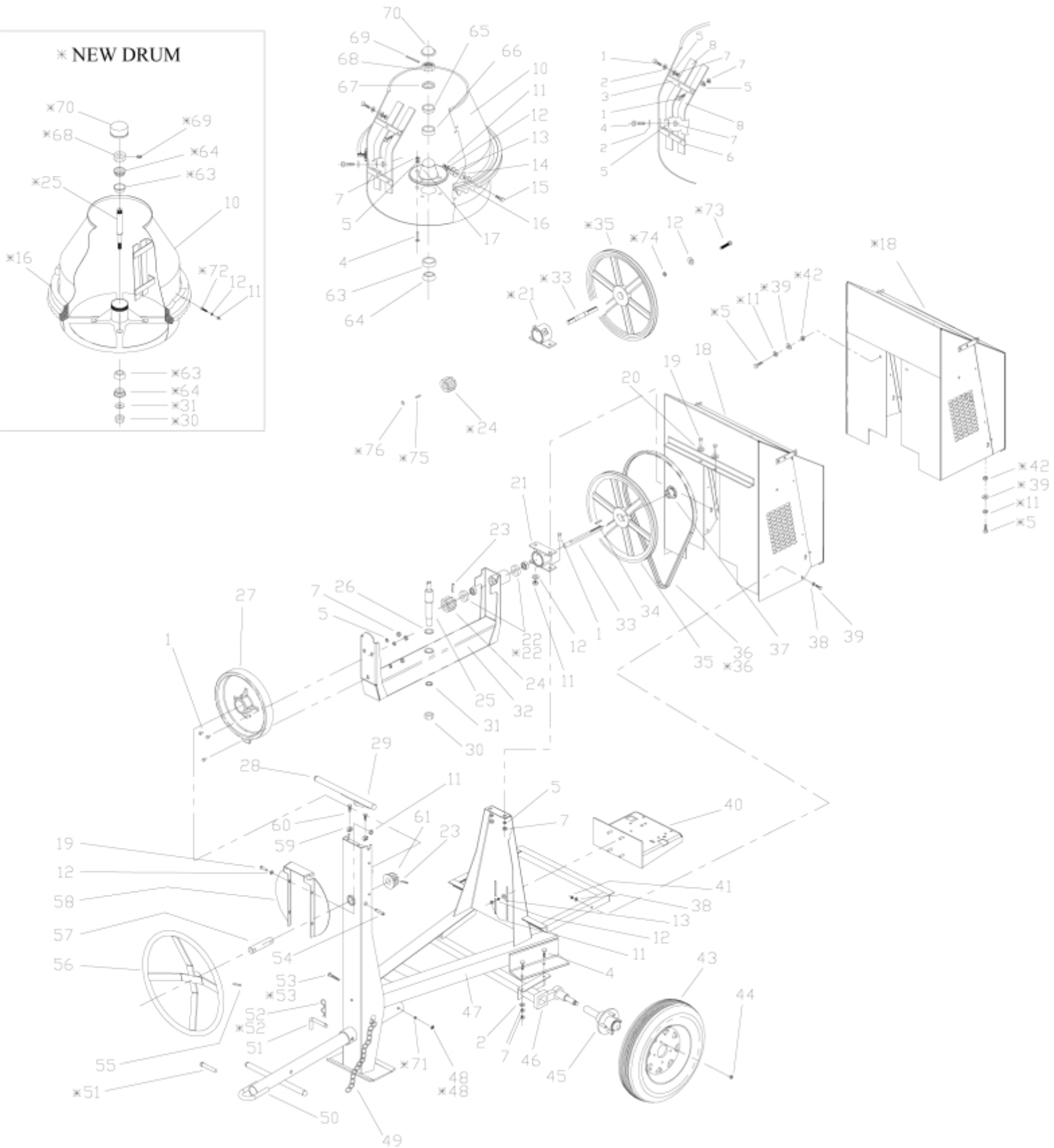
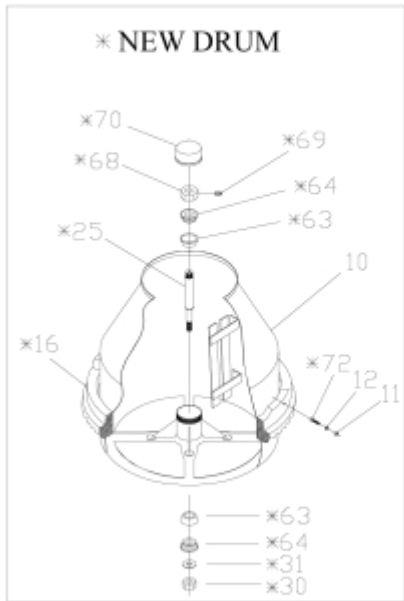


C9-C CONCRETE MIXER



C9-C CONCRETE MIXERS

| Ref | Part | Description | Qty |
|-----|-------------|---------------------------|-----|
| 1 | 226640 | Bolt, HexHd, 1/2 x 1-1/4 | 13 |
| 2 | 174470 | Washer, 1/2 | 12 |
| 3 | 412630 | Paddle Bracket, Top | 2 |
| 4 | 226650 | Bolt, HexHd, 1/2 x 1-1/2 | 8 |
| 5 | 176250 | Washer, Spring, 1/2 | 21 |
| 6 | 412640 | Paddle Bracket, Bottom | 2 |
| 7 | 227854 | Nut, Hex, 1/2 | 21 |
| 8 | 496805 | Paddle | 4 |
| 9 | - | Part Not Used | - |
| 10 | 431479 | WA, Drum | 1 |
| *10 | 0904CO01TQ | * WA, Drum | 1 |
| 11 | 227830 | Nut, Hex, 3/8 | 30 |
| 12 | 176230 | Washer, Spring, 3/8 | 35 |
| 13 | 248275 | Washer, Fender, 7/16 | 52 |
| 14 | 175000 | Washer, Shim, 1/8 thk | 24 |
| 15 | 226230 | Bolt, HexHd, 3/8 x 1-1/2 | 24 |
| 16 | 412343 | Gear Ring Section | 1 |
| *16 | 0900FG01TQ | * Gear Ring Section | 1 |
| 17 | 411902 | Bearing Housing | 1 |
| 18 | 496700 | Assy, Hood | 1 |
| *18 | 0900CO01GA | * Assy, Hood | 1 |
| 19 | 226210 | Bolt, HexHd, 3/8 x 1 | 6 |
| 20 | 174986 | Washer, 3/8 | 2 |
| 21 | 496767 | WA, Swivel Bracket | 1 |
| *21 | 0900CO01CH | * WA, Swivel Bracket | 1 |
| 22 | 110280 | Brg, Ball E/L 176205-014 | 2 |
| *22 | 0000BA6205 | * Brg, Ball 6205 | 2 |
| 23 | 135215 | Pin, Roll, 5/16 x 1-3/4 | 2 |
| 24 | 412387 | Pinion (8 Th) | 1 |
| *24 | 0900FG02YU | * Pinion (14 Th) | 1 |
| 25 | 411895 | Shaft, Bowl | 1 |
| *25 | 0900CR01T1Q | * Shaft, Bowl | 1 |
| 26 | 175381 | Shim, 1.25 ID x 1.875 OD | 1 |
| 27 | 496760 | Gear, Tilting | 1 |
| 28 | 247032 | Dome Plug | 2 |
| 29 | 496775 | Lever Assy | 1 |
| 30 | 227920 | Nut, Hex, 1" UNF | 1 |
| 31 | 176290 | Washer, Spring 1" | 1 |
| 32 | 465717 | WA, Yoke | 1 |
| 33 | 412541 | Drive Shaft | 1 |
| *33 | 0900CR01YU | * Drive Shaft | 1 |
| 34 | 431001 | Key, 3/16 x 3-1/2 | 1 |
| 35 | 459980 | Pulley, 2BK 190H | 1 |
| *35 | POFG190156 | * Pulley, 2BK 190H | 1 |
| 36 | 239657 | V - Belt, 5L-730 | 2 |
| *36 | 0000BN5L71 | Belt, B 5L-71 | 1 |
| 37 | 176822 | Pulley Bushing, Q.D. 7/8" | 1 |
| 38 | 174990 | Washer, 5/16 | 4 |
| 39 | 225960 | Bolt, HexHd, 5/16 x 3/4 | 2 |

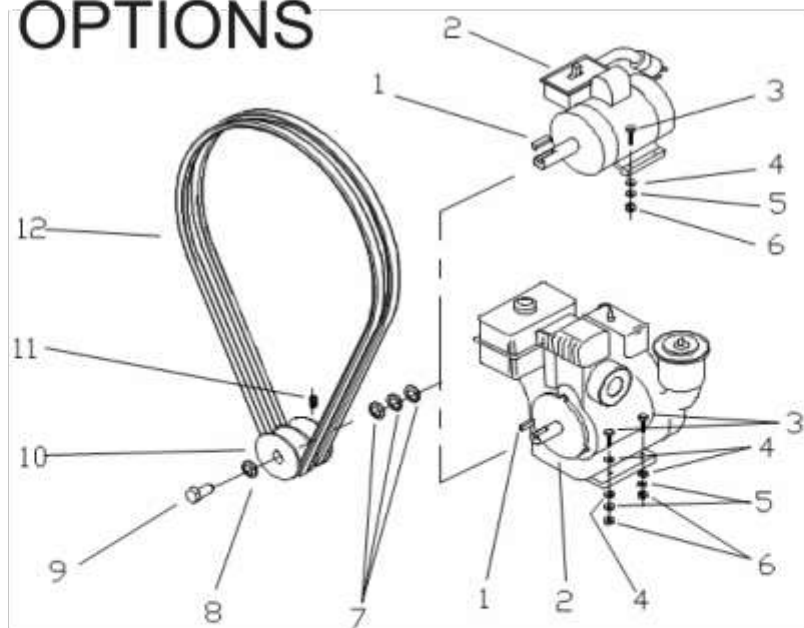
| Ref | Part | Description | Qty |
|-----|------------|--------------------------------|-----|
| 40 | 496720 | Assy, Base Plate | 1 |
| 41 | 227821 | Nut, 5/16, Nylon Lock | 2 |
| 42 | - | Part Not Used | - |
| 43 | 431081 | Wheel & Tire Assy, 5.5 x 13 | 2 |
| 44 | 201696 | Nut, Lug, 1/2-20 UNF | 8 |
| 45 | 201731 | Wheel Hub, 4 Bolt | 1 |
| 46 | 431092 | Axle, Rubber Torsion - 4 Bolt | 1 |
| 47 | 431475 | WA, Frame | 1 |
| 48 | 227814 | Nut, 3/8 Nylon Lock | 1 |
| *48 | TCFN034GAL | * Nut, Hex, 3/4 UNF | 1 |
| 49 | 609686 | Safety Chain, 1/4 | 1 |
| *49 | CA00056GAL | * Safety Chain, 5/16 | 1 |
| 50 | 431469 | Draw Bar, Pintle Hitch | std |
| *50 | 431470 | Draw Bar, 2" Ball Hitch | opt |
| 51 | 496088 | Pin, Lock | 1 |
| *51 | 0900CR01RD | * Pin, Lock | 1 |
| 52 | 134955 | Clip, Hitch Pin | 1 |
| *52 | SR00036EXT | * Clip, Hitch Pin, 3/16 | 1 |
| 53 | 226272 | Bolt, HexHd, 3/8 x 3 | 1 |
| *53 | TOFD034312 | * Bolt, HexHd, 3/4 x 3-1/2 UNF | 1 |
| 54 | 110690 | Grease Ftg St 1/8Npt x 1-3/4 | 4 |
| 55 | 135216 | Spring Pin, Slotted, 5/16 x 2 | 1 |
| 56 | 496779 | WA, Handwheel | 1 |
| 57 | 412551 | Tilting Shaft | 1 |
| 58 | 496778 | Guard, Tilt Gear | 1 |
| 59 | 136000 | Gripper Clip, 5/16 | 2 |
| 60 | 162830 | Scerw, 8-18 x 3/4 | 2 |
| 61 | 412420 | Pinion, Tilting | 1 |
| 62 | - | Part Not Used | - |
| 63 | 112400 | Bearing, Cup, TRB, Large | 1 |
| *63 | 0000BA2788 | * Bearing, Cup, TRB, Large | 2 |
| 64 | 112200 | Bearing, Cone, TRB, c/w Seal | 1 |
| *64 | 0000BA2788 | * Bearing, Cone, TRB, c/w Seal | 2 |
| 65 | 112450 | Bearing, Cone, TRB, Small | 1 |
| 66 | 112350 | Bearing, Cup, TRB, Small | 1 |
| 67 | 248277 | Washer | 1 |
| 68 | 227900 | Nut, Hex, 3/4, Slotted | 1 |
| *68 | TCCN38GAL | * Nut, Hex, 1-3/8, Slotted | 1 |
| 69 | 135810 | Cotter Pin, 1/8 x 1-1/2 | 1 |
| *69 | OPCR038038 | * Set Screw, 3/8 x 3/8 | 1 |
| 70 | 201750 | Dust Cap | 1 |
| *70 | 0900FG02TQ | * Dust Cap | 1 |
| *71 | RNRX034GAL | * Spring Washer 3/4 | 1 |
| *72 | TOFD038200 | * Bolt, HexHd, 3/8 x 2 | 4 |
| *73 | TOFD038100 | * Bolt, HexHd, 3/8 x 1 UNF | 1 |
| *74 | 0900LA01TR | * Plain Washer, 3/8 | 1 |
| *75 | 0000CU01TR | * Key, 1/4 x 1-1/4 | 1 |
| *76 | SM00156EXT | * Retaining Ring, 15/16 | 1 |

* Starts from Serial Num. 3A9S33M17A1168002

^ Cone, Cup Bearing

** Starts from Serial Num. -----

DRIVE KIT OPTIONS



| Ref | Part | Description | 5 HP | 9 HP | Electric |
|-----|------------|------------------------------------|------|------|----------|
| 1 | 432340 | Key, 1/4 x 1-5/8 | | 1 | N/R |
| | 432050 | Key, 3/16 x 1-5/8 | 1 | | |
| 2 | 202003 | Engine, 9 Hp Honda | | 1 | |
| | 201920 | Engine, 8 Hp B&S | | 1 | |
| | 202004 | Engine, 5.5 Hp Honda | 1 | | |
| | 201912 | Engine, 5 Hp B&S | 1 | | |
| | 464959 | Electric Motor, 1 Hp & Switch Assy | | | 1 |
| | 464958 | Electric Motor, 1.5 Hp & Switch | | | 1 |
| | 464957 | Electric Motor, 2 Hp & Switch Assy | | | 1 |
| 3 | 225980 | Bolt, HexHd, 5/16 x 1 | | | 4 |
| | 119810 | Bolt, HexHd, 5/16 x 1-3/4 | 4 | | |
| | 226240 | Bolt, HexHd, 3/8 x 1-3/4 | | 4 | |
| 4 | 174986 | Washer, 3/8 | | 6 | |
| | 174990 | Washer, 5/16 | 6 | | 4 |
| 5 | 178220 | Washer, Spring, 5/16 | 4 | | 4 |
| | 176230 | Washer, Spring, 3/8 | | 4 | |
| 6 | 227820 | Nut, Hex, 5/16 | 4 | | 4 |
| | 227830 | Nut, Hex, 3/8 | | 4 | |
| 7 | 228007 | Washer, 1 | | 3 | |
| 8 | 174470 | Washer, 1/2 | | 1 | |
| 9 | 226495 | Bolt, HexHd, 7/16 x 1, GB PL | | 1 | |
| 10 | 412482 | Pulley, 2BK 30 x 5/8 | | | 0.5-1.5 |
| | 412483 | Pulley, 2BK 30 x 7/8 | | | 1-2 Hp |
| | 459995 | Pulley, Clutch, 2 x 4.125 x 1, DBL | | 1 | |
| | 496054 | Pulley, 2BK 25 x 3/4 | 1 | | |
| | POFG414058 | * Pulley, 4-1/4 x 5/8 | | | 1 |
| | POFG212034 | * Pulley, 2-1/2 x 3/4 | 1 | | |
| | POFG212100 | * Pulley, 2-1/2 x 1 | | 1 | |
| 11 | 148300 | Set Screw, 5/16 x 3/8 | 1 | 1 | 1 |
| 12 | 239657 | V - Belt, 5L - 730 | 1 | 2 | 2 |

* Starts from Serial Num. 3A9S33M17A1168002