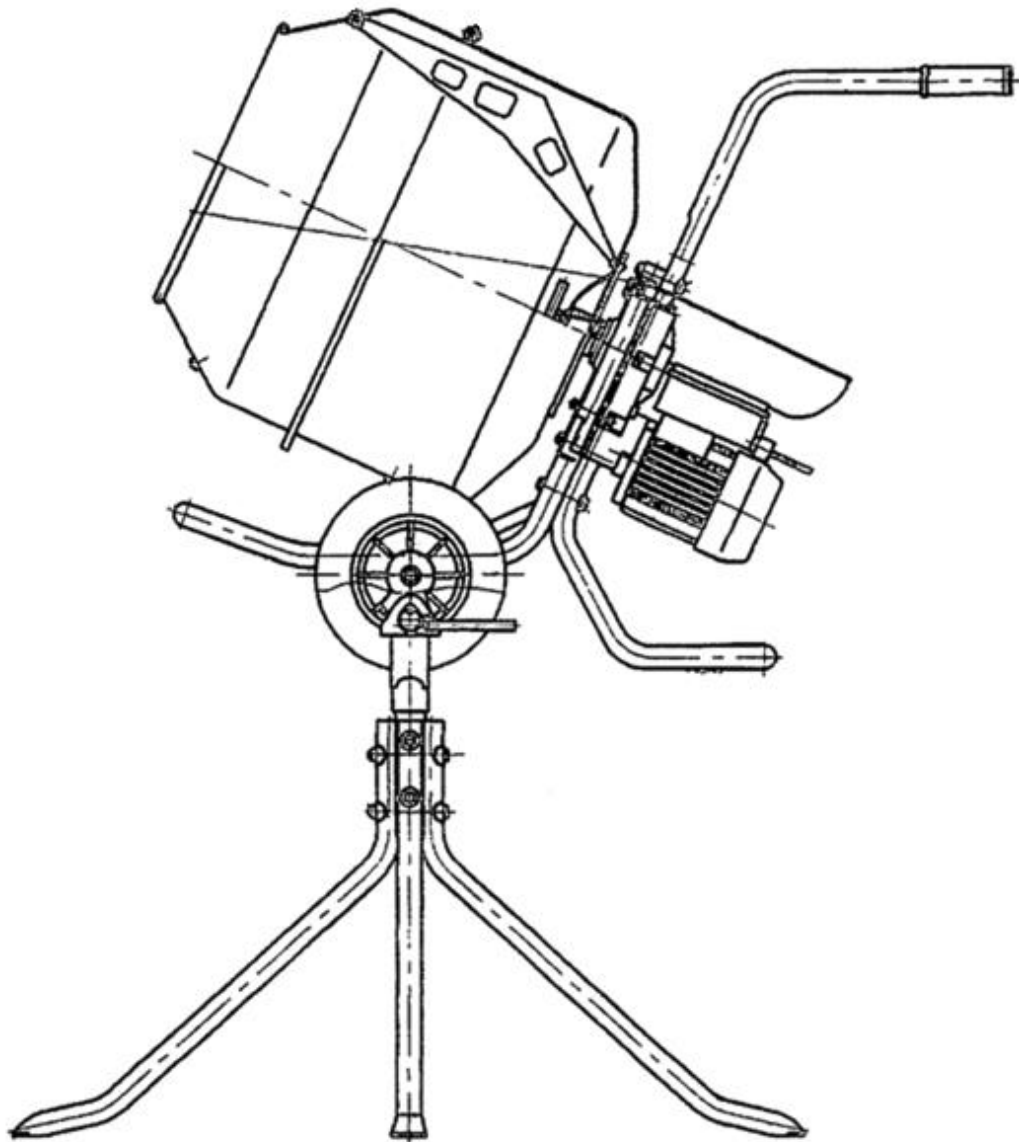
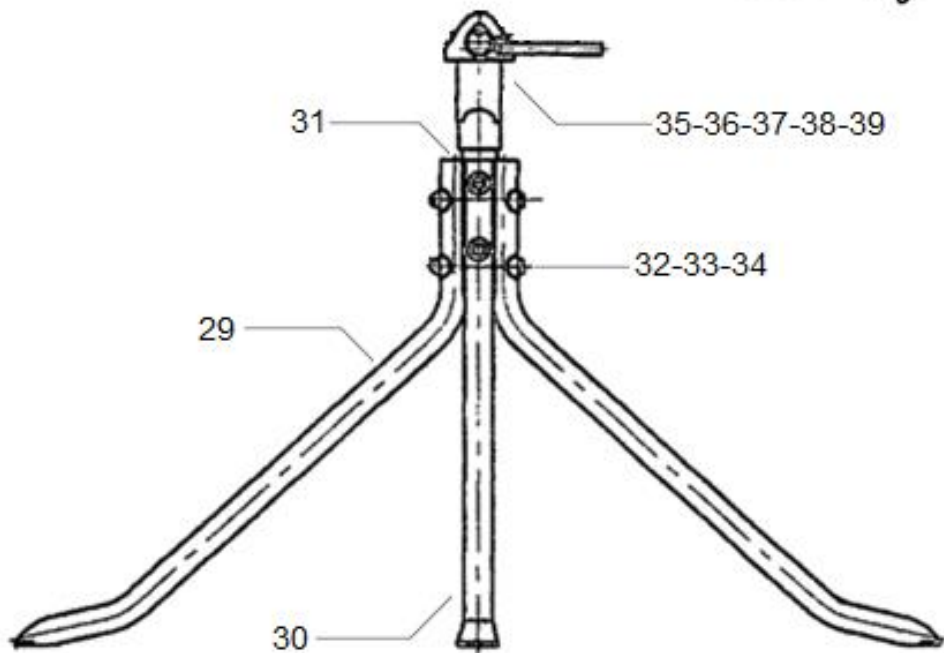
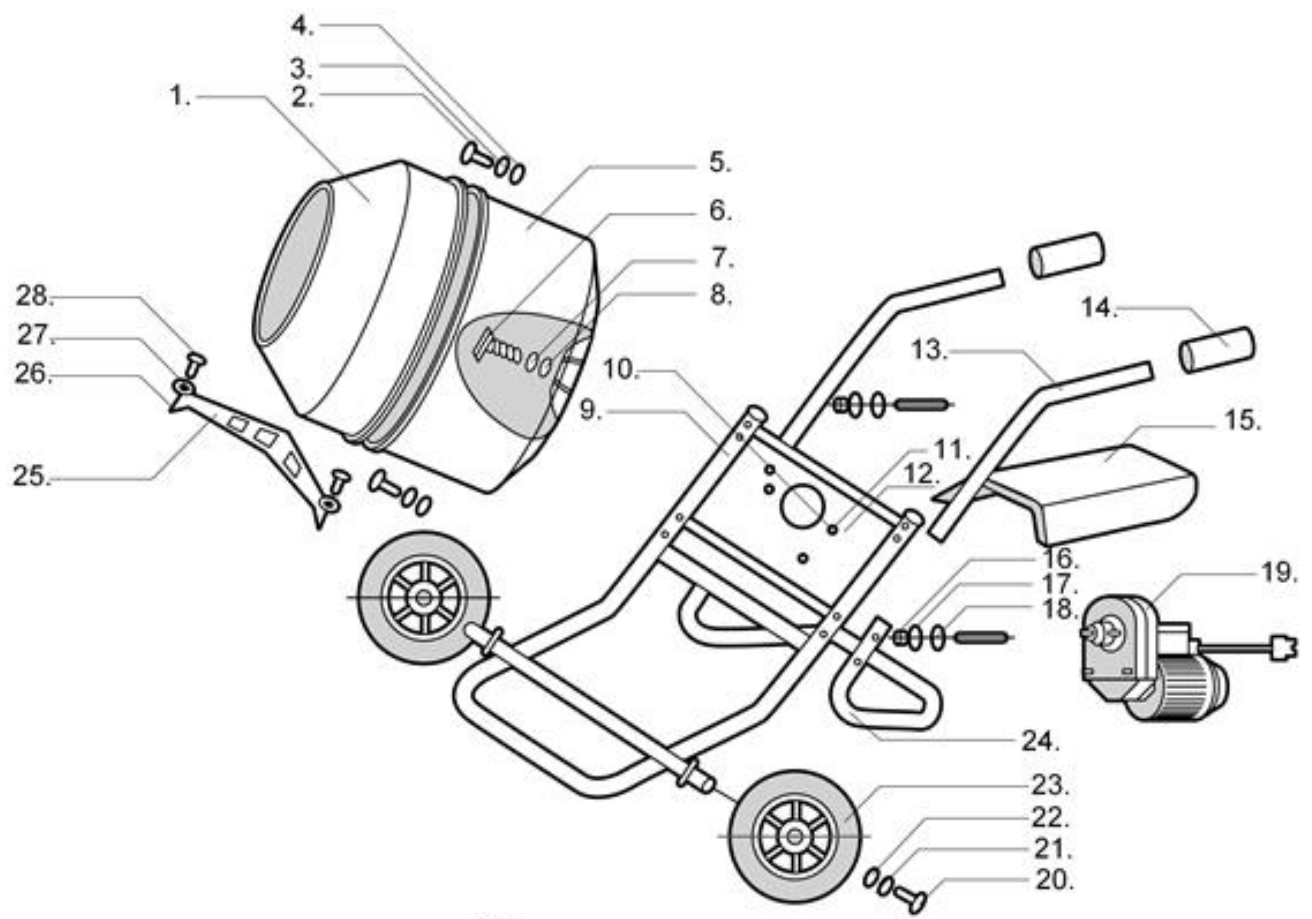


MAX MIX PARTS BREAKDOWN





ITEM	PART #	DESCRIPTION	MMIX	PRICE LIST
1	2250719	MAX MIX UPPER DRUM HALF	1	\$250.00
2	3206152	DRUM AND ENGINE COVER HEX BOLT M6 X 16	8	\$2.00
3	3201255	DRUM AND ENGINE COVER WASHER M8	8	\$1.00
4	3206365	DRUM AND ENGINE COVER NUT M8	8	\$1.60
5	2250720	MAX MIX LOWER DRUM HALF	1	\$250.00
6	2222982	T-BOLT M14 X 35	1	\$5.00
7	2222169	T-BOLT RUBBER WASHER M14	1	\$3.00
8	2224428	T-BOLT WASHER 14X36X6	1	\$1.60
9	2222149	FRAME REAR SUPPORT	1	\$120.00
10	2222150	MOTOR HEX BOLT M6 x 16	4	\$2.00
11	2222151	ELASTIC WASHER M14	3	\$2.00
12	2222152	ENGINE MOUNT M6 NUT	3	\$1.60
13	2235450	RIGHT/LEFT HANDLE FOR MAX MIX	1	\$50.00
14	2288786	HANDLE GRIPS LEFT AND RIGHT	2	\$50.00
15	2222153	MOTOR COVER	1	\$25.00
16	3206140	FRAME ASSEY M6 NUT	4	\$1.60
17	2226700	FRAME WASHER M6	4	\$1.00
18	2226702	FRAME BOLT M6 X 15	4	\$2.00
19	1/3 MOTOR	MAX MIX 1/3 HP ELECTRIC MOTOR ASSEMBLY 115V	1	\$465.00
*	3203806	ON/OFF SWITCH MAX MIX	1	\$10.00
*	2222166	MOTOR WASHER M6	4	\$1.00
*	2222167	MOTOR SCREW M6	4	\$1.60
20	2255749	WHEEL COTTER PIN	2	\$1.00
21	2222154	WHEEL WASHER	2	\$3.00
22	2222148	10" WHEEL 10X2"	2	\$30.00
23	2222168	MAX MIX RUBBER GASKET (SEAL)	1	\$15.00
24	3206159	AXLE FRAME	1	\$125.00
25	2253145	MIXING PADDLE	2	\$55.00
26	2222193	PADDLE ASSEY NUT TB M12X25	4	\$1.60
27	2222155	PADDLE WASHER	4	\$1.00
28	2222170	PADDLE BOLT	4	\$2.00
29	2222156	MAX MIX PEDESTAL LEG HIGH END HOLE AT 1" (ONE PIECE)	2	\$50.00
30	2222171	MAX MIX PEDESTAL LEG HIGH END HOLE AT 1-3/4" (ONE PIECE)	2	\$50.00
31	2222157	MAX MIX PEDESTAL LEG UNION TUBE	1	\$25.00
32	2222158	PEDESTAL BOLT	4	\$3.00
33	2222159	PEDESTAL WASHER	4	\$1.00
34	2222160	PEDESTAL HEX BOLT	4	\$2.00
35	2222161	PEDESTAL SUPPORT BASE	1	\$30.00
36	2222162	PEDESTAL BASE L BOLT	1	\$3.00
37	2222163	PEDESTAL BASE PIN LOCK	2	\$20.00
38	2222164	PEDESTAL BASE WASHER	2	\$1.00
39	2222165	PEDESTAL BASE HAIR LOCK PIN	2	\$1.00
*	MAX MIXM	MAX MIX MIXER	*	\$585.00