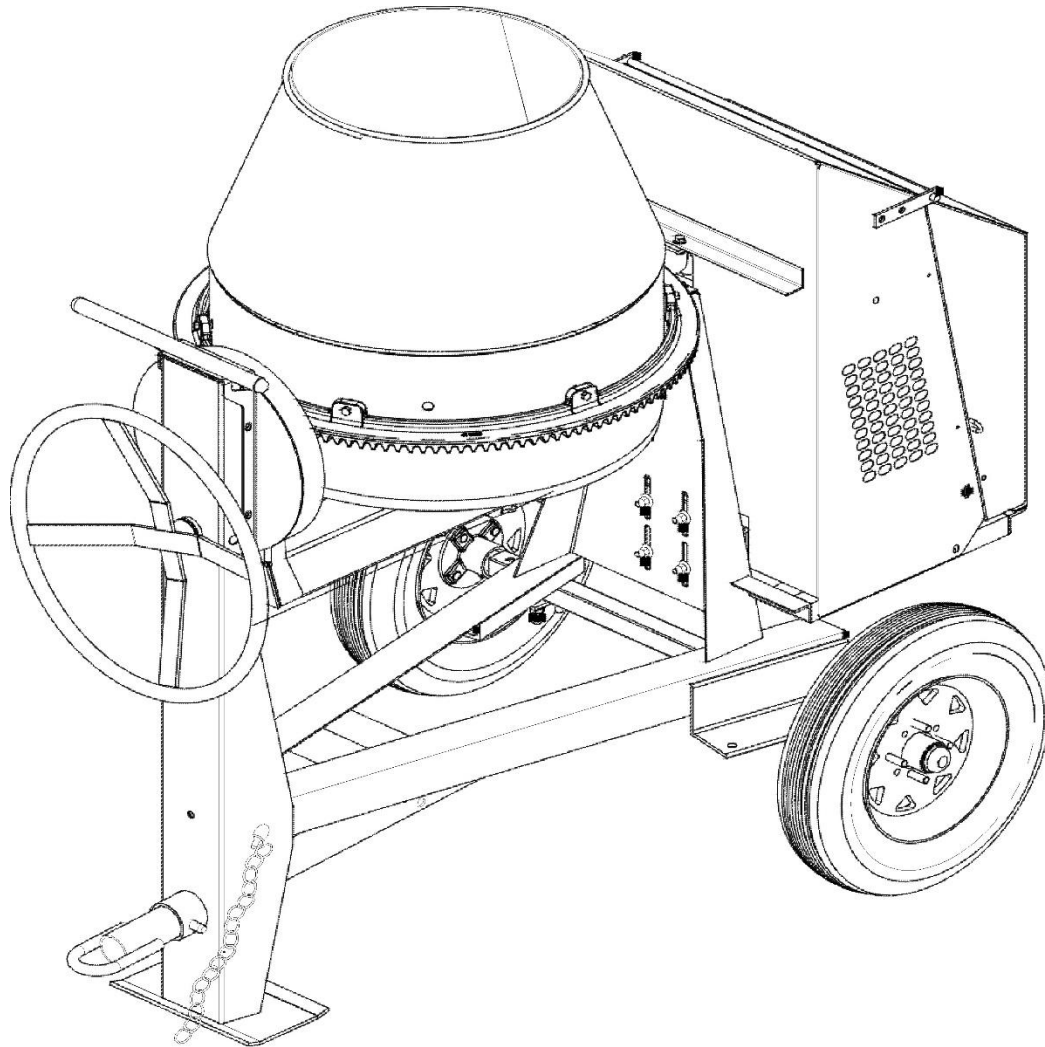


# REPAIR PARTS MANUAL CONCRET MIXER ORIGINAL - C9C

SERIES	CM-Mech
BULLETIN No.	200097R7
SUPERSEDES	200087R8
DATE	Mar 2010

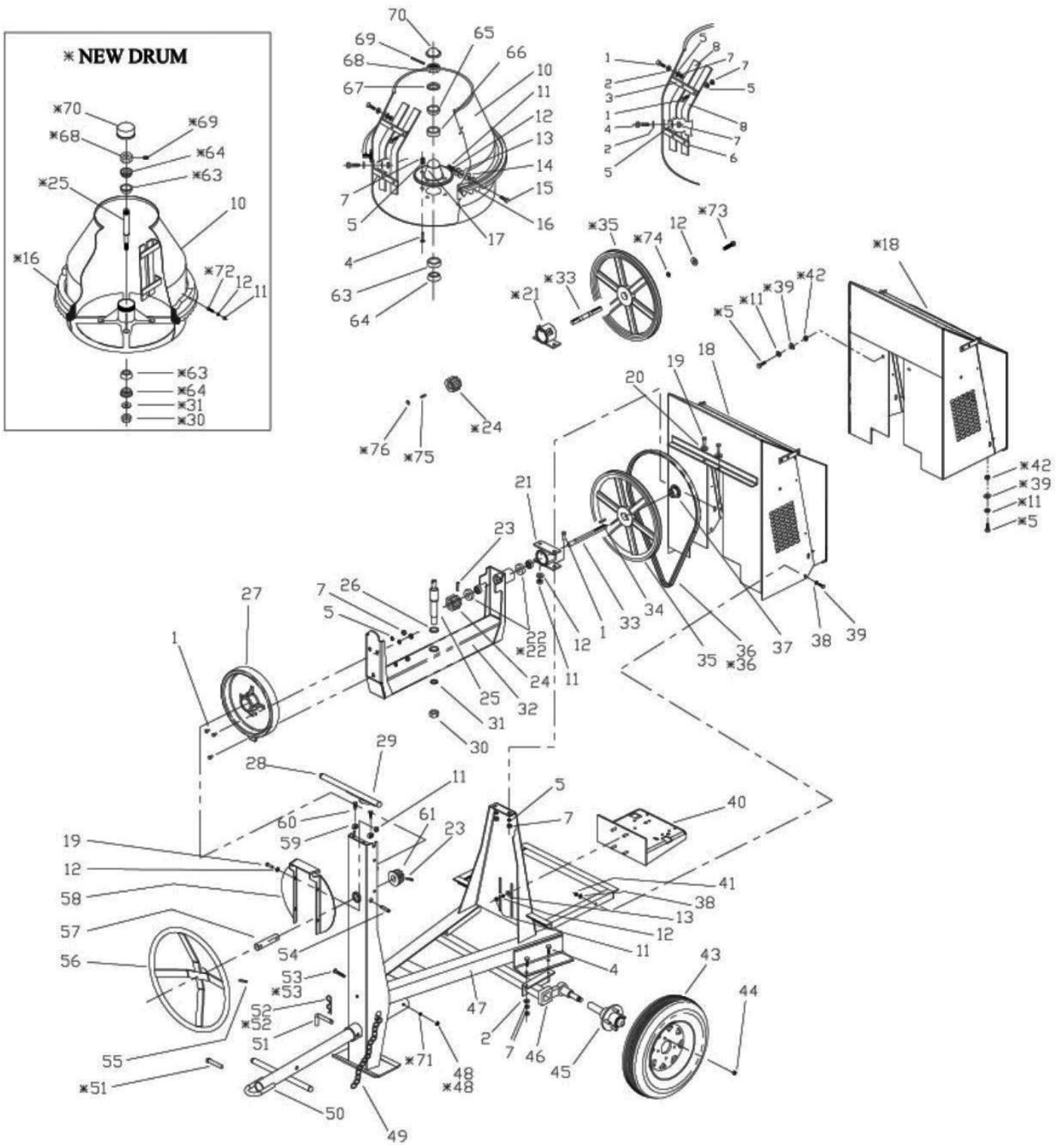
Last Rev: NOV 2020



**CROWN**  
CONSTRUCTION EQUIPMENT  
WWW.CROWNEQUIP.COM

Phone (877) 403 1220  
Phone (204) 831 8468  
Fax (956) 462 2500  
www.crownequip.com  
sales@crownequip.com

\*When ordering parts please always specify the model and serial number of the mixers as a reference.



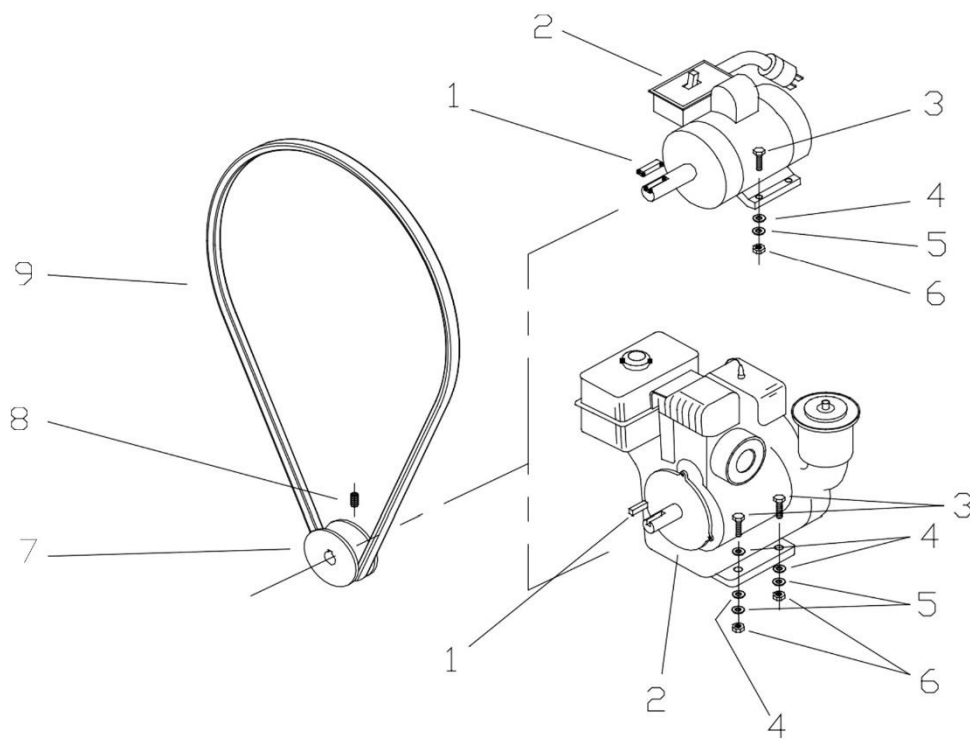
\*When ordering parts please always specify the model and serial number of the mixers as a reference.  
 Parts with \* start from S#3A9S33M17A1168002

2010-2018 C9C CROWN					
#	SKU #	ID #	DESCRIPTION	C9	PRICELIST
1	TOCD012114	226640	HEX BOLT HD 1/2 X 1-1/4 - 226640	13	\$1.25
2	RNPX012GAL	174470	PLAIN WASHER 1/2" - T105 - C172 - 174470	12	\$2.12
3	N/A	412630	BRKT, C6-C9 TOP PADDLE (R2)	2	\$9.33
4	TOCD012112	226650	HEX BOLT HD GR5 1/2" X 1-1/2" - 226650 - C303	8	\$1.25
5	RNRX012GAL	176250	SPRING WASHER 1/2" - C145 - 176250 - T568	21	\$1.08
6	N/A	412640	BRKT, C6-C9 BTM PADDLE (R3)	2	\$8.06
7	TCCS012GAL	227854	HEX LOCK NUT 1/2" - T106 - 227854 - C304 - C173	21	\$1.25
8	N/A	496805	PADDLE, C6-C9(R2)	4	\$20.15
9	N/A	N/A	<b>PART NOT IN USE ANYMORE</b>	-	\$0.00
10	0172CO01TQ	431479	CM9/C9 BARE DRUM (WITH WELDED PADDLES) - C120 - 431479 - FITS V&T	1	\$800.00
*10	0904CO01TQ	N/A	WA DRUM C9 - ORIGINAL C9	1	\$800.00
11	TCCS038GAL	227830	HEX LOCK NUT 3/8" - 227830 - T114 - C142	30	\$1.25
12	RNRX038GAL	176230	LOCK WASHER 3/8" T113 - C144 -176230	35	\$1.08
13	N/A	248275	WASHER 7/16 X 1-1/2 X 1/8 FENDER	52	\$1.08
14	N/A	175000	WASHER, SHIM 1/8"	24	\$4.03
15	TOCD038112	226230	HEX BOLT 3/8" X 1-1/2" - T176 - C141 - 226230	24	\$1.25
16	N/A	412343	RING GEAR SECTIONS (4)	1	\$500.00
16	0900FG01TQ	N/A	RING GEAR C6-C9 (132 TH 32-1/2" DIA)	1	\$333.90
17	411904	411902	BOWL DRUM HUB, 27" C6-C9 (R4) - 411902	1	\$207.76
18	N/A	496700	OLD HOOD ASSEMBLY, C3-C9 (OBSOLETE)	1	\$500.00
*18	0900CO01GA	N/A	C9 HOOD ASSY FROM S# 3A9S33M17A1168002	1	\$500.00
19	TOCD038100	226210	HEX BOLT 3/8 X 1 - C138 - 226210 (ELECTRIC MOTORS)	6	\$1.08
20	RNPX038GAL	174986	PLAIN WASHER 3/8" - T112 - C139 - 174986 - 701032	2	\$1.08
21	0900CO01CH	496767	C3-C12 SWIVEL BRACKET 496767	1	\$60.00
22	AELS205-Q14N	110280	BRG, BALL E/L 176205-Q14 (CSA205-14) - 110280	1	\$22.26
*22	0000BA6205	701016	BALL BEARING, 6205 - C154 - 701016 (JEL205-100W3)	2	\$25.00
23	00PE056134	135215	PIN, SPR COILED 5/16 X 1-3/4 - 135215	2	\$1.70
24	412387	412385	PINION C9 - 8 TOOTH (R5) - 412385	2	\$58.30
*24	0900FG02YU	N/A	PINION 14TH STARTING FROM S#3A9S33M17A1168002	1	\$60.00
25	N/A	411895	BOWL SHAFT, C6-C9 BOWL (9-3/4"L) (R1)	1	\$118.72
*25	0900CR01TQ	N/A	BOWL SHAFT STARTING FROM S#3A9S33M17A1168002	1	\$130.00
26	N/A	175381	WASHER, SHIM 1 1/4" X 1 7/8" O. D	1	\$3.39
27	N/A	496760	C6-C12 TILTING GEAR (V-FRAME)	1	\$137.38
28	N/A	247032	PLUG, DOME 32-U21 (1"0)	1	\$1.30
*28	N/A	701020	RUBBER SCREW CAP 1/2	2	\$3.18
29	N/A	496775	WA LEVER C6-C9 (BEFORE 2015)	1	\$27.48
30	TCCN100GAL	227920	HEX NUT, 1" - 227920	1	\$2.00
31	RNRX100GAL	176290	SPRING WASHER, 1" - 176290 - C511	1	\$1.08
32	N/A	465717	W.A. YOKE, C9 ORIGINAL	1	\$429.30
33	N/A	412541	DRIVE SHAFT C6-C9 (R2) (7/8"X11-1/2") (BEFORE 2008)	1	\$42.40
*33	0900CR01YU	702041	DRIVE SHAFT C6-C9/C9P-C12 (9-11 X 16"L) - 702041 FROM S#3A9S33M17A1168002	1	\$45.00
34	N/A	431001	KEY 3/16 X 3/16 X 3-1/4 LG	1	\$1.25
35	POFG190156	459980	PULLEY, 2BK190H	1	\$300.00
*35	POFG190516	702044	PULLEY 19" X 5/16" - 702044 - 2BK190H - FROM S#3A9S33M17A1168002	1	\$240.00
36	N/A	239657	V-BELT 5L-730	2	\$25.00
*36	0000BN5L71		V-BELT 5L-71	1	\$25.00
37	H 7/8	176822	H X 7/8" BUSHING FOR 19" PULLEY (BEFORE 2008)	1	\$18.02
38	RNPX056GAL	174990	PLAIN WASHER, 5/16	4	\$1.08
39	TOCD516034	225960	BOLT, 5/16 UNC X 3/4 HX PL - 225960	2	\$1.08
40	N/A	496720	BASE PLATE ASSEMBLY C3-C9 (BEFORE 2011)	1	\$80.00
41	TCCS056GAL	227821	HEX LOCK NUT 5/16" - T148 - 227821	2	\$1.25
42	N/A	N/A	<b>PART NOT IN USE ANYMORE</b>	-	\$0.00
43	0000CO01RD	431081	WHEEL & TIRE ASSY 165-80 R13" - T137 - 431081 - C136	2	\$115.00
44	TCMN012GAL	201696	WHEEL LUG NUT 1/2" X 20 - T138 - 201696	8	\$4.00
45	0200KI01RD	201731	*DISCONTINUED* MUST BUY NEW AXLE 0200KI03RD HUB ASSEY BEFORE JUN 2014	1	\$75.00

46	N/A	431092	*DISCONTINUED USE 607916 - RUBBER TORSION AXLE	1	\$800.00
*46	DXA T1744440	607916	TORSION AXLE 12S-12SH-16SH-C9V-C12V	1	\$800.00
47	N/A	431475	W.A. FRAME ORIGINAL C9	1	\$2,000.00
48	TCCN038GAL	227814	HEX NUT 3/8 NC - T410 - C142 - 227814	1	\$1.25
*48	TCFN034GAL	701028	TOWING HITCH, HEX NUT, 3/4 NF - 701028 - T124 - C179 (2018)	1	\$5.00
49	N/A	609686	SAFETY CHAIN 1/4"	1	\$60.00
*49	CAD3516GAL	701012	5/16 SAFETY CHAIN W/ OVAL SNAPS T501 - 609686 - 701012 - CA03316GAL	1	\$35.00
50	0000CO01LZ	702056	PINTLE HITCH HORIZONTAL HOLE - T118 - 702056 - C192 (OBSOLETE)	1	\$80.00
50	0000CO02LZ	702060	2" BALL HITCH HORIZONTAL HOLE - 702060 - T119 - C197 (OBSOLETE)	1	\$80.00
51	0900CR01RD	496088	"L" HITCH PIN LOCK	1	\$12.00
*51	0000CR01LZ	702078	TOWING HITCH, LOCK PIN - T121 - C169 - 496088 - 702078	1	\$10.00
52	0111SR01LZ	134955	3/6" COTTER PIN CP-85H - SR00036EXT - T110 - 134955	1	\$1.08
*52	0111SR01LZ	SR00036EXT	3/6" COTTER PIN CP-85H - SR00036EXT - T110 - 134955	1	\$1.08
53	TOFD034312	226272	TOWING HITCH HEX HEAD SCREW 3/4" X 3-1/2" - T122 - C148 - 226272 - 701001	1	\$3.00
*53	TOCD034312	226272	HEX BOLT HD GR5 3/4 X 3-1/2	1	\$1.25
54	0000GRH200	110690	FTG, GREASE ST 1/8 NPT X 1-3/4 - 110680 - 110690 - C155	4	\$2.50
55	N/A	135216	PIN, SPR COILED 5/16 X 2"	1	\$2.76
56	N/A	496779	W.A. HANDWHEEL, C6-C12	1	\$103.03
57	N/A	412551	TILTING SHAFT C6-C12 (1-1/4"X5-3/4")	1	\$21.20
58	N/A	496778	GUARD, C6/C12 TILT GEAR (R2)	1	\$50.37
59	N/A	136000	CLIPS, GRIPPER 5/16" C6-C12 - 136000	2	\$6.00
60	TOCU018034	162830	BOLT, 1/8 X 3/4 - 162830	2	\$1.08
61	N/A	412420	PINION C3-C12, TILTING (R2) - 412420	1	\$63.60
62	N/A	N/A	<b>PART NOT IN USE ANYMORE</b>	-	\$0.00
63	LM67010	112400	BRG, TRB CUP (TKN LM67010)	1	\$12.72
*63	0000BA2788	701014	BALL BEARING, TRB CO&SL 4T-LM67048L (W/ CUP BA2788/20) - C150 - 701014	2	\$65.00
64	4T-LM67048L	112200	BRG, TRB CO&SL (NTN 4T-LM67048L / TMK LM67000LA-902A1)	1	\$63.60
*64	0000BA2788	701014	BALL BEARING, TRB CO&SL 4T-LM67048L (W/ CUP BA2788/20) - C150 - 701014	2	\$65.00
65	2LM11910-LM111949	112450	BRG CONE/CUP TRB SMALL TKN (SET 2LM11910-LM111949)	1	\$9.54
66	LM11910	112350	BRG, TRB CUP (TKN LM11910)	1	\$6.00
67	RNPX034GAL	248277	PLAIN WASHER 3/4" X 1-1/2 - 174996 - T108 - 248277	1	\$3.02
68	N/A	227900	NUT, 3/4" HX SLOT UNF PL	1	\$2.12
*68	TCCN38GAL	N/A	HEX NUT, 1 3/8, SLOTTED (CASTLE NUT)	1	\$5.00
69	SC18112NOR	135810	PIN COTTER, 1/8 X 1-1/2 - 135810 - 135790 - T135	1	\$1.08
*69	OPCR038038	C140	ALLEN SCREW 3/8 X 3/8 - C140	1	\$1.70
70	N/A	201750	OBSOLETE - DRUM HUB CAP	1	\$19.00
*70	0900FG02TQ	N/A	DRUM HUB CAP	1	\$19.00
*71	RNRX034GAL	174510	TOWING HITCH, SPRING WASHER 3/4" - 174510 - T123	1	\$3.00
*72	TOFD038200	N/A	HEX BOLT HD, 3/8 X 2	4	\$1.08
*73	TOFD038100	701031	BOLT, HEXHD, 3/8 X 1 NF	1	\$1.25
*74	RNPX038GAL	174986	PLAIN WASHER 3/8" (T112 - C139 - 174986)	1	\$1.08
*75	0170CC01MO	701027	KEY 1/4 X 1-1/4 - 701027 - C152 - T483 - 0000CU01TR	1	\$1.25
*76	SM00156EXT	701029	RETAINING OMEGA RING - 1-15/16" - 701029 - C151	1	\$6.47

### BOWL SHAFT & BEARING COMBINATIONS

MODEL	PART# & REF	DESCRIPTION	BEARING 1	BEARING 2	YEAR
C6/C9	0900CR01YU	DRIVE SHAFT C6-C9/C9P-C12 SINCE 2010 (9-3/4") - 702041	0000BA6205	0000BA6205	2010-CURRENT
	412703	BOWL SHAFT C9 X (15-3/8")	112180 / 112380	112180 / 2380	1989-1998 (GUESS)
	411901	BOWL SHAFT, C3-C6P-C6 X 7-3/8"	NO INFO	NO INFO	(OBSOLETE)
	411901-01	BOWL SHAFT, C3-C6P-C6 X 8-3/4"	112450	112200 / 2400	1998-2002
	411895	BOWL SHAFT, C6-C9 X 9-3/4"	112450	112200 / 2400	2002-2010
	0900CR01TQ-01	BOWL SHAFT, C6-C9 OLD STYLE X 13"- 702034	0000BA2788	0000BA2788	2010-2011
	0900CR01TQ	BOWL SHAFT, C6-C9 & C12 X 12"L (NO SEAL) - 702035	0000BA2788	0000BA2788	2011-2016 (JUN)
	0900CR01TQ-A	BOWL SHAFT, C6-C9 & C12 12"L - 702035-01 W/ SEAL T 38 80 8	0000BA2788	0000BA2788	2016 (JUL) - 2018 (NOV)
C12	0905CR01TQ	BOWL SHAFT, C12 X 11-3/16" - 702036 FOR (1) BA104949	0000BA2788	0000BA104949	2010-2012 & 2018
	0900CR01TQ	BOWL SHAFT, C6-C9 & C12 X 12"L (NO SEAL) - 702035	0000BA2788	0000BA2788	2012 (APR)-2016 (JUN)
	0900CR01TQ-A	BOWL SHAFT, C6-C9 & C12 12"L - 702035-01 W/ SEAL T 38 80 8	0000BA2788	0000BA2788	2016 (JUL)-2018



DRIVE ASSEY			GAS		ELECTRIC		PRICELIST
#	SKU #	PART #	5HP	8HP	1.5HP	2HP	
1	0200CC03TR	432340		1	-	-	\$1.25
1	N/A	432050	1				\$1.25
2	HONDA	ENGINE	1	1	1	1	\$0.00
2	BALDOR	MOTOR	1	1	1	1	\$0.00
3	TOCD056100	225980			4	4	\$1.25
3	TOCD056134	119810	4				\$1.25
3	TOCD038134	226240		4			\$1.25
4	RNPX038GAL	174986		6			\$1.08
4	RNPX056GAL	174990	6		4		\$1.08
5	RNRX056GAL	178220	4		4		\$1.08
5	RNRX038GAL	176230		4			\$1.08
6	TCCS056GAL	227820	4		4		\$1.25
6	TCCS038GAL	227830		4			\$1.25
7	POFG212058	412482			1		\$40.00
7	N/A	412483				1	\$102.00
7	N/A	459995		1			\$400.68
7	N/A	496054	1				\$70.98
7	POFG414058	N/A			1		\$50.00
7	POFG212034	702049	1				\$40.00
7	POFG212100	459960		1			\$40.00
8	OPCR056038	148300	1	1	1	1	\$1.70
9	N/A	239657	2	2	2	2	\$25.00
*9	0000BN5L71		1	1	1	1	\$25.00