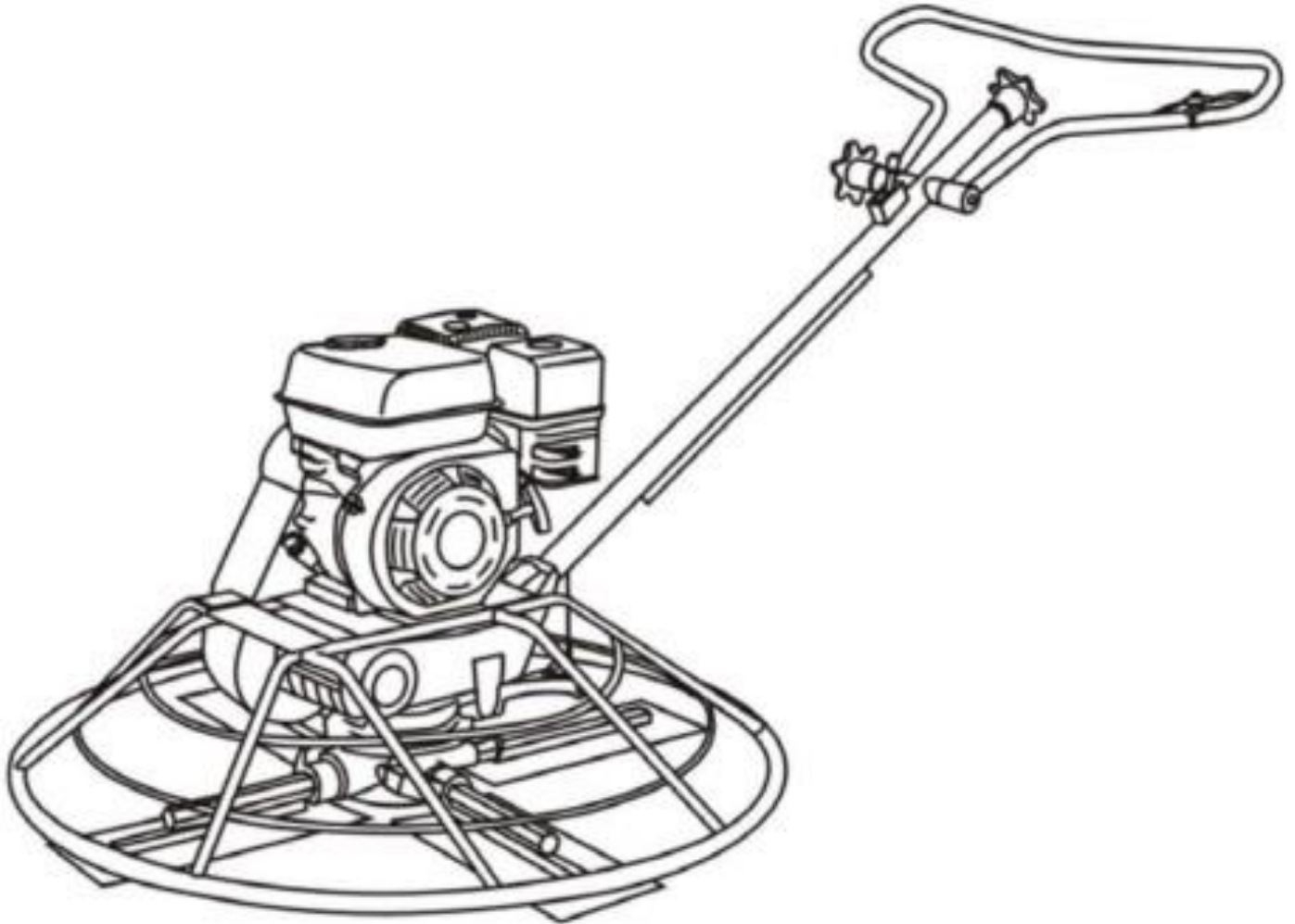
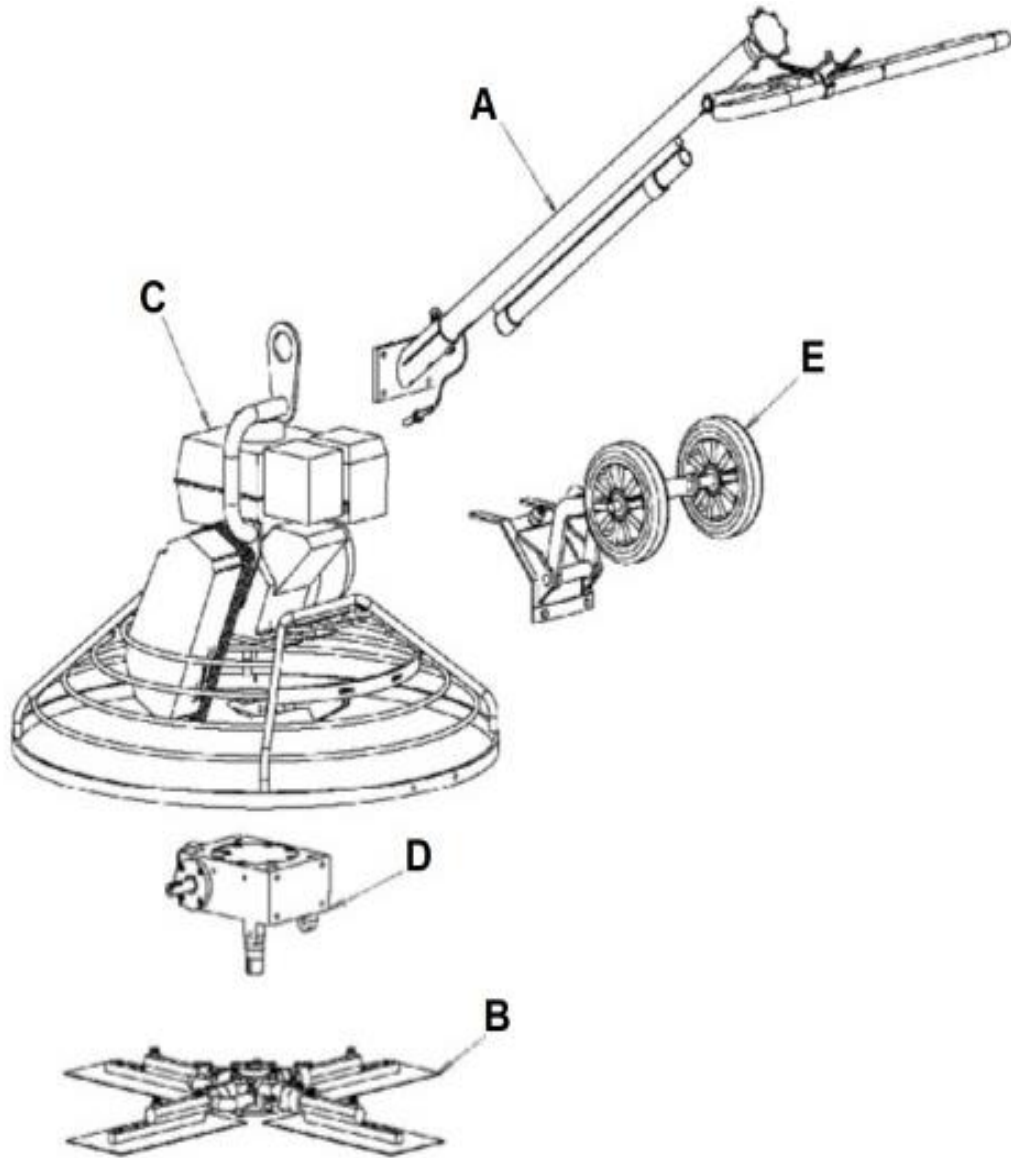


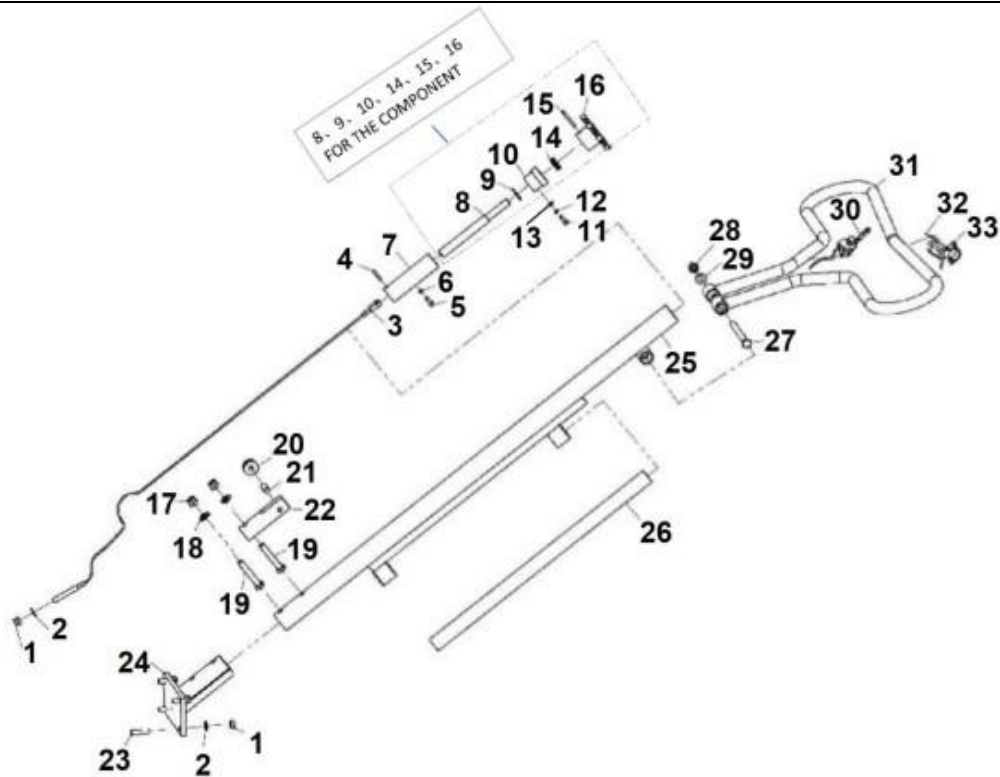
POWER TROWELS

WBT36" – WBT46"





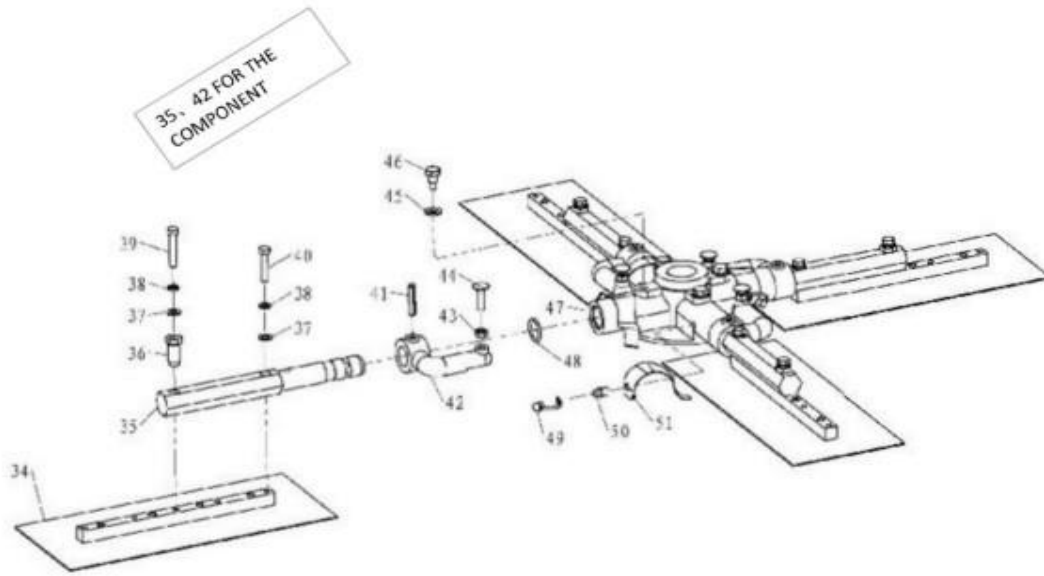
| ITEM | SKU # | DESCRIPTION ENGLISH | WBT36 | WBT46 | PRICE LIST |
|------|----------------|---------------------------------------|-------|-------|------------|
| A | WBT360100040-1 | HANDLE ASSY. FOR WBT36 | 1 | | |
| A | WBT460100040-2 | HANDLE ASSY. FOR WBT46 | | 1 | |
| B | WBT360200003-1 | SPIDER PLATE ASSY., WBT36 | 1 | | |
| B | WBT460200003-3 | SPIDER PLATE ASSY., WBT46 | | 1 | |
| C | WBT360200000-1 | ENGINE AND PROTECTIVE FRAME FOR WBT36 | 1 | | |
| C | WBT460200000-3 | ENGINE AND PROTECTIVE FRAME FOR WBT46 | | 1 | |
| D | WBT360200058-1 | GEARBOX ASSY.WBT36 | 1 | | |
| D | WBT460200058-2 | GEARBOX ASSY.WBT42/46 | | 1 | |
| E | WBT360400000 | TRANSPORT WHEEL FOR WBT36 | 1 | | |



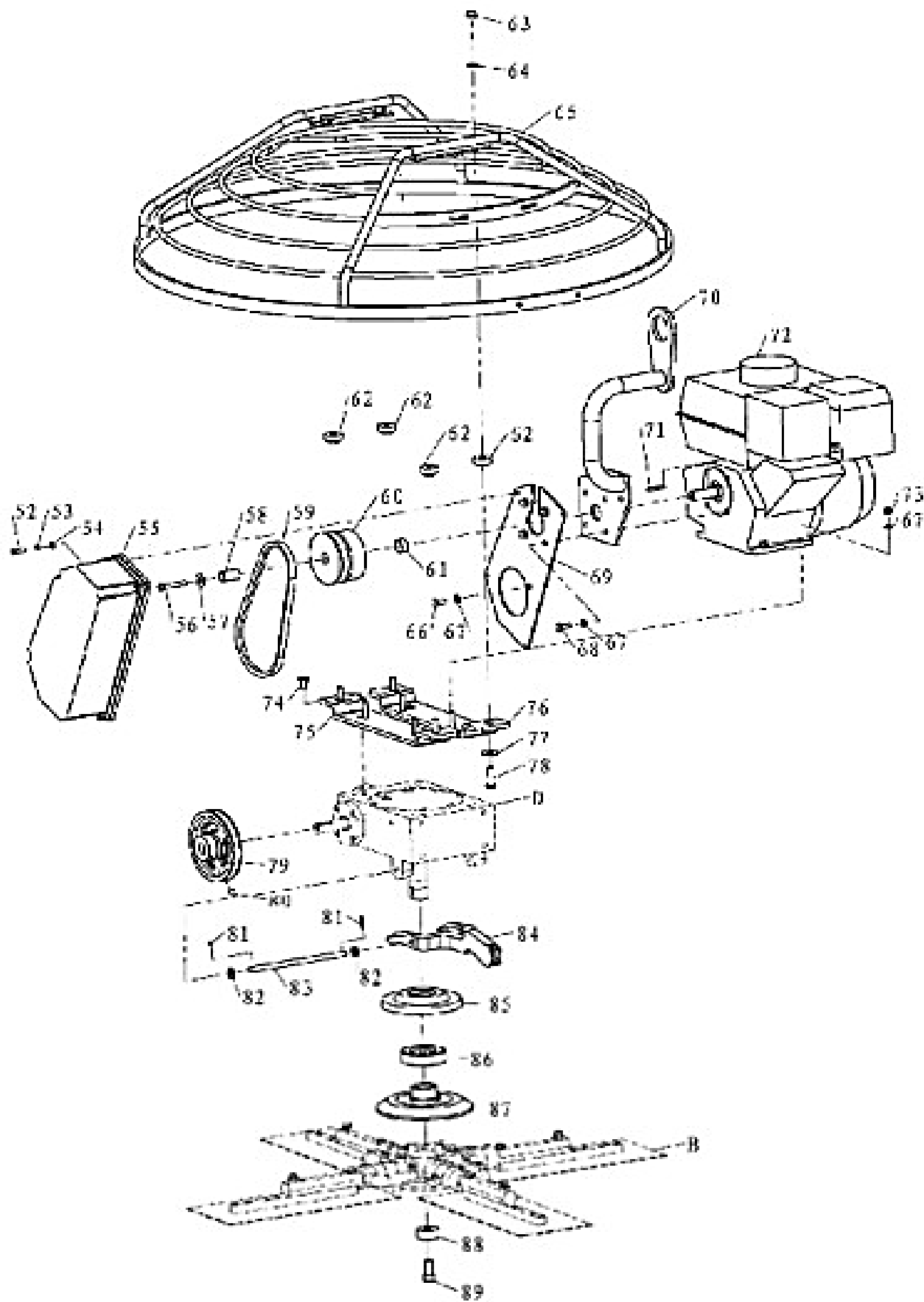
FRAME ASSEY BREAK DOWN

| ITEM | SKU # | DESCRIPTION ENGLISH | WBT36 | WBT46 | PRICE LIST |
|------|----------------|-----------------------------------|-------|-------|------------|
| 1 | WB360100031 | LOCK SCREW Φ10 | 5 | 5 | |
| 2 | WBT360100032 | WASHER Φ10 | 5 | 5 | |
| 3 | WBT360100018 | WIRE.WBT36 | 1 | 1 | |
| 3 | WBT460100018-1 | WIRE.WBT46 | 1 | 1 | |
| 4 | WBT360100025 | PIN | 1 | 1 | |
| 5 | WBT360100007 | SCREW | 1 | 1 | |
| 6 | WBT360100033 | SPRING W ASHER | 1 | 1 | |
| 7 | WBT360100011 | SHAFT, TROWEL CONTROL | 1 | 1 | |
| 8 | WBT360100013 | BOLT | 1 | 1 | |
| 9 | WBT360100022 | SPACER | 1 | 1 | |
| 10 | WBT360100012 | COLLAR | 1 | 1 | |
| 11 | WBT360100026 | SCREW | 1 | 1 | |
| 12 | WBT360100034 | SPRING W ASHER | 1 | 1 | |
| 13 | WBT360100035 | SPACER | 1 | 1 | |
| 14 | WBT360100024 | BERING | 1 | 1 | |
| 15 | WBT360100014 | PIN | 1 | 1 | |
| 16 | WBT360100015 | WHEEL, HAND HANDLE | 1 | 1 | |
| 17 | WBT360100005 | NUT | 2 | 2 | |
| 18 | WBT360100036 | SPACER | 2 | 2 | |
| 19 | WBT360100000 | SCREW | 2 | 2 | |
| 20 | WBT360100003 | PULLEY, SUPPORT BLOCK | 1 | 1 | |
| 21 | WBT360100004 | PIN, SUPPORT BLOCK | 1 | 1 | |
| 22 | WBT360100002 | BLOCK SUPPORT | 1 | 1 | |
| 23 | WBT360100037 | STUD BOLT M10*40 (A) | 4 | 4 | |
| 24 | WBT360100001 | BRACKET | 1 | 1 | |
| 25 | WBT360100027-1 | BRACKET, HANDLE ADJUSTABLE, WBT36 | 1 | 1 | |
| 25 | WBT360100027-2 | BRACKET, HANDLE ADJUSTABLE, WBT46 | | 1 | |
| 26 | WBT360100006-1 | LIFTING TUBE, WBT36 | 1 | | |

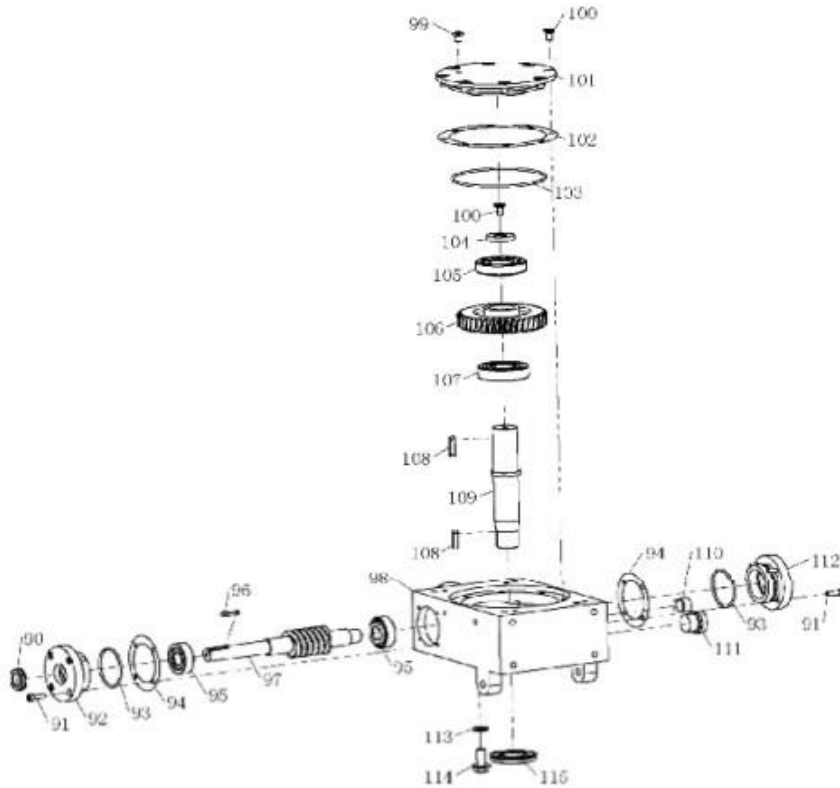
| | | | | | |
|----|----------------|-------------------------|---|---|--|
| 26 | WBT460100006-2 | LIFTING TUBE, WBT46 | | 1 | |
| 27 | WBT360100028 | SCREW | 1 | 1 | |
| 28 | WBT360100029 | NUT | 1 | 1 | |
| 29 | WBT360100038 | SPACER | 1 | 1 | |
| 30 | WBT360100009 | THROTTLE CONTROL | 1 | 1 | |
| 31 | WBT360100030 | HANDLE ADJUSTABLE | 1 | 1 | |
| 32 | WBT360100039 | CABLE | 2 | 2 | |
| 33 | WBT360100010 | SAFETY STOP SWITCH ASSY | 1 | 1 | |



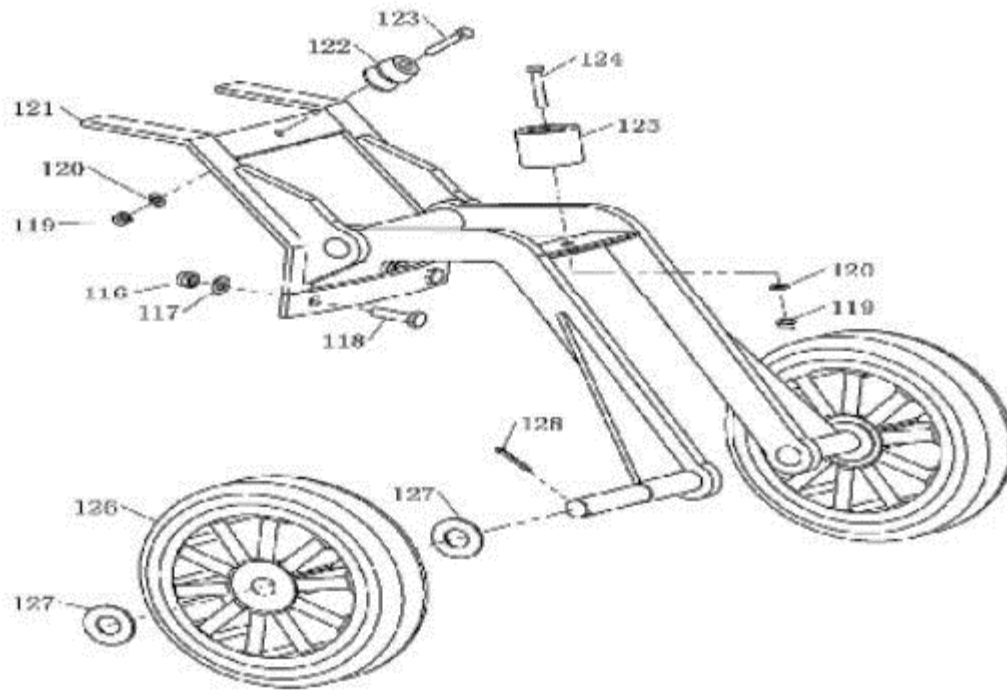
| ITEM | SKU # | DESCRIPTION ENGLISH | WBT36 | WBT46 | PRICE LIST |
|------|----------------|----------------------------------|-------|-------|------------|
| 34 | WBT360200009-1 | BLADE, MT36 | 4 | | |
| 34 | WBT460200009-3 | BLADE, MT46 | | 4 | |
| 35 | WBT360200010-1 | TROWEL ARM EXTENDED, MT36 | 4 | | |
| 35 | WBT460200010-2 | TROWEL ARM EXTENDED, WBT46 | | 4 | |
| 36 | WBT360200059 | BOLT FOR ADJUSTING BLADE M14*1.0 | 4 | | |
| 37 | WBT360200011 | SPACER | 8 | | |
| 38 | WBT360200012 | SPRING W ASHER | 8 | | |
| 39 | WBT360200013 | SCREW | 4 | | |
| 40 | WBT360200060 | SCREW | 4 | | |
| 41 | WBT360200016 | ROLL PIN | 4 | | |
| 42 | WBT360200014 | TROWEL ARM LEVER | 4 | | |
| 43 | WBT360200018 | NUT | 4 | | |
| 44 | WBT360200017 | RADIUS HEAD SCREW | 4 | | |
| 45 | WBT360200061 | SPACER | 4 | | |
| 46 | WBT360200062 | SCREW M10*20 | 4 | | |
| 47 | WBT360200019 | SPIDER PLATE ONLY | 1 | | |
| 48 | WBT360200063 | O RING 30*3.0 | 4 | | |
| 49 | WBT360200064 | COVER | 4 | | |
| 50 | WBT360200022 | SCREW | 4 | | |
| 51 | WBT360200020 | SPRING PLATE | 4 | | |



| ITEM | SKU # | DESCRIPTION ENGLISH | WBT36 | WBT46 | PRICE LIST |
|------|----------------|-----------------------------------|-------|-------|------------|
| 52 | WBT360200027-1 | SCREW M6 FOR WBT36 | 4 | | |
| 52 | WBT460200027-2 | SCREW M6*25 FOR WBT46 | | 4 | |
| 53 | WBT360200065 | SPRING W ASHER 6 | 4 | 4 | |
| 54 | WBT360200028 | SPACER | 4 | 4 | |
| 55 | WBT360200029-1 | BELT GUARD, WBT36 | 1 | | |
| 55 | WBT460200029-2 | BELT GUARD, WBT46 | | 1 | |
| 56 | WBT360200045-1 | SCREW FOR KEY 20MM | 1 | 1 | |
| 56 | WBT360200045-2 | SCREW FOR KEY 19.05MM | 1 | 1 | |
| 56 | WBT360200045-3 | SCREW FOR KEY 25MM | 1 | 1 | |
| 56 | WBT360200045-4 | SCREW FOR KEY 25.4MM | 1 | 1 | |
| 57 | WBT360200047-1 | SPACER FOR WBT36 | 1 | | |
| 57 | WBT460200047-2 | SPACER FOR WBT46 | | 1 | |
| 58 | WBT360200066 | PIPE | 1 | 1 | |
| 59 | WBT360200044-1 | BELT, WBT36 | 1 | | |
| 59 | WBT460200044-2 | BELT, WBT46 | | 1 | |
| 60 | WBT360200048-1 | CLUTCH ASSY. WBT36 | 1 | | |
| 60 | WBT460200048-2 | CLUTCH ASSY. WBT46 | | 1 | |
| 61 | WBT360200050 | WASHER | 1 | 1 | |
| 62 | WBT360200036 | RUBBER W ASHER | 4 | 4 | |
| 63 | WBT360200035 | NUT | 4 | 4 | |
| 64 | WBT360200067 | FLAT WASHER 10 | 4 | 4 | |
| 65 | WBT360200038-1 | GUARD RING ASSY., WBT36 | 1 | | |
| 65 | WBT460200038-2 | GUARD RING ASSY., WBT46 | | 1 | |
| 66 | WBT360200068 | SCREW FOR KEY 25MM | 1 | 1 | |
| 67 | WBT360200041 | SPACER | 9 | 9 | |
| 68 | WBT360200069 | HEX HEAD SCREW (OPTIONAL) | 4 | 4 | |
| 69 | WBT360200031-1 | MOUNTING PLATE, BELT GUARD WBT36 | 1 | | |
| 69 | WBT460200031-2 | MOUNTING PLATE, BELT GUARD WBT46 | | 1 | |
| 70 | WBT360200049-1 | LIFTING HOOK, WBT36 (OPTIONAL) | 1 | | |
| 70 | WBT460200049-2 | LIFTING HOOK, WBT46 (OPTIONAL) | | 1 | |
| 71 | WBT360200054 | KEY | 1 | 1 | |
| 72 | WBT360200055-3 | HONDA PETROL ENGINE 5.5HP, WBT36 | 1 | | |
| 72 | WBT460200057-2 | HONDA PETROL ENGINE 8HP, WBT46 | | 1 | |
| 73 | WBT360200043 | NUT | 4 | 4 | |
| 74 | WBT360200034 | SCREW, FLAT HEAD | 4 | 8 | |
| 75 | WBT360200030-1 | FRONT ENGINE MOUNTING PLATE.WBT36 | 1 | | |
| 75 | WBT460200030-2 | FRONT ENGINE MOUNTING PLATE.WBT46 | | 1 | |
| 76 | WBT360200037-1 | REAR ENGINE MOUNTING PLATE.WBT36 | 1 | | |
| 76 | WBT460200037-2 | REAR ENGINE MOUNTING PLATE. WBT46 | | 1 | |
| 77 | WBT360200070 | SPACER | 4 | 4 | |
| 78 | WBT360200039 | SCREW | 4 | 4 | |
| 79 | WBT360200032 | PULLEY | 1 | 1 | |
| 80 | WBT360200071 | SOCKET HEAD SCREW M8×16 | 1 | 1 | |
| 81 | WBT360200072 | SPRING PIN Ø2.5×16 | 2 | 2 | |
| 82 | WBT360200024 | WASHER | 2 | 2 | |
| 83 | WBT360200023 | PIN, YOKE | 1 | 1 | |
| 84 | WBT360200008 | ARM, YOKE | 1 | 1 | |
| 85 | WBT360200007 | WEAR RING | 1 | 1 | |
| 86 | WBT360200006 | BEARING | 1 | 1 | |
| 87 | WBT360200005 | WEAR PLATE | 1 | 1 | |
| 88 | WBT360200002 | SPACER | 1 | 1 | |
| 89 | WBT360200001 | SCREW MIZ | 1 | 1 | |



| ITEM | SKU# | DESCRIPTION ENGLISH | WBT36 | WBT46 | PRICE LIST |
|------|--------------|-------------------------|-------|-------|------------|
| 90 | WBT360300001 | SEAL | 1 | 1 | |
| 91 | WBT360300002 | SCREW | 8 | 8 | |
| 92 | WBT360300003 | FLANGE, INPUT SHAFT | 1 | 1 | |
| 93 | WBT360300005 | O-RING | 2 | 2 | |
| 94 | WBT360300004 | PLATE, SEAL | 2 | 2 | |
| 95 | WBT360300006 | BEARING | 2 | 2 | |
| 96 | WBT360200033 | KEY | 1 | 1 | |
| 97 | WBT360300007 | GEAR, WORM & SHAFT ASSY | 1 | 1 | |
| 98 | WBT360300010 | CASE, GEAR | 1 | 1 | |
| 98 | WBT360300027 | SCREW | 1 | 1 | |
| 100 | WBT360300028 | SCREW M8 | 9 | 9 | |
| 101 | WBT360300026 | COVER, GEAR BOX | 1 | 1 | |
| 102 | WBT360300025 | SEAL | 1 | 1 | |
| 103 | WBT360300029 | O-RING | 1 | 1 | |
| 104 | WBT360300023 | SPACER | 1 | 1 | |
| 105 | WBT360300022 | BEARING | 1 | 1 | |
| 106 | WBT360300021 | GEAR, WORM | 1 | 1 | |
| 107 | WBT360300020 | BEARING | 1 | 1 | |
| 108 | WBT360200004 | PIN | 2 | 2 | |
| 109 | WBT360300019 | SHAFT | 1 | 1 | |
| 110 | WBT360300013 | FITTING, PLUG | 1 | 1 | |
| 111 | WBT360300011 | SIGHT GLASS | 1 | 1 | |
| 112 | WBT360300014 | FLANGE | 1 | 1 | |
| 113 | WBT360300030 | COPPER WASHER Φ 12 | 1 | 1 | |
| 114 | WBT360300031 | HEX HEAD SCREW M12 | 1 | 1 | |
| 115 | WBT360300009 | SEAL, OIL | 1 | 1 | |



| ITEM | SKU # | DESCRIPTION | WBT36 | WBT46 | PRICE LIST |
|------|--------------|-----------------------------|-------|-------|------------|
| 116 | WBT360400001 | LOCK SCREW M8 | 2 | N/A | |
| 117 | WBT360400002 | WASHER 8 | 2 | N/A | |
| 118 | WBT360400003 | HEX HEAD BOLT M8*25 | 2 | N/A | |
| 119 | WBT360400004 | LOCK SCREW M6 | 2 | N/A | |
| 120 | WBT360400005 | WASHER 6 | 2 | N/A | |
| 121 | WBT360400006 | BRACKET FOR TRANSPORT WHEEL | 1 | N/A | |
| 122 | WBT360400007 | RUBBER BLOCK A | 1 | N/A | |
| 123 | WBT360400008 | SOCKET HEAD BOLT M6*30 | 1 | N/A | |
| 124 | WBT360400009 | HEX HEAD BOLT M6 | 1 | N/A | |
| 125 | WBT360400010 | RUBBER BLOCK B | 1 | N/A | |
| 126 | WBT360400011 | WHEEL | 2 | N/A | |
| 127 | WBT360400012 | FLAT SPRING | 4 | N/A | |
| 128 | WBT360400013 | SPRING PIN | 2 | N/A | |

Phone: 956-796-9411

Fax: 956-462-2500

service@btmequipment.com