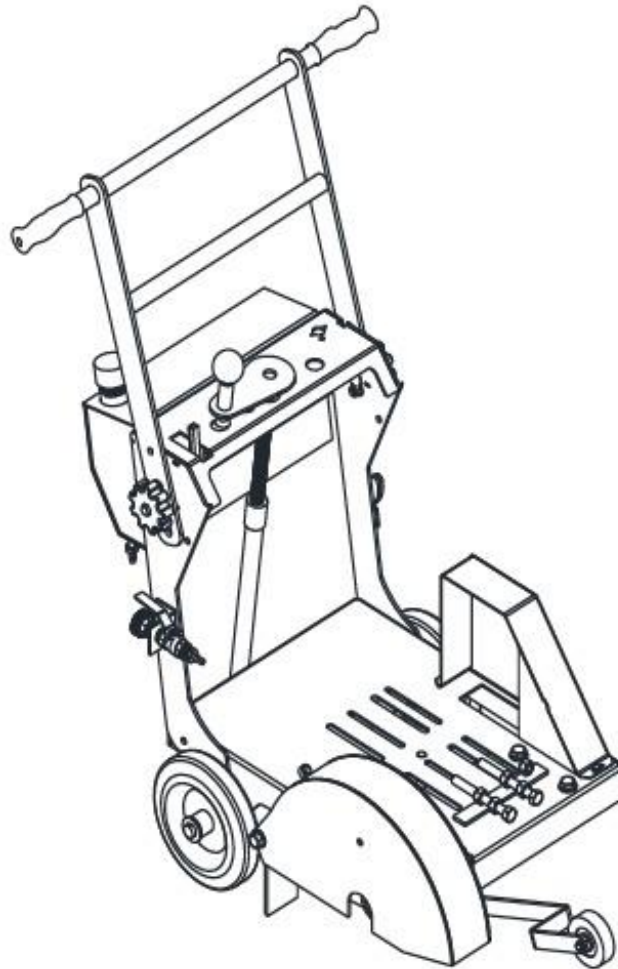


# **Operator's Safety and Service**

## **Walk Behind Concrete Saw TCS14**



**20042022**

**It is the OWNER'S RESPONSABILITY to communicate information on the  
SAFE USE and OPERATION of this machine to the operators.**

## **TABLE OF CONTENTS**

1. Serial Number Location.....	3
2. Parts Ordering Procedure .....	3
3. Operating Instructions .....	4
4. Safety Precaution .....	6
5. Safety Notice & Decals .....	8
6. Before Operating.....	9
7. Operation Instruction.....	10
8. Adding Fluids & Towing.....	11
9. Service Instructions .....	12
10. Maintenance Schedule.....	13
11. Replacements.....	15
12. Equipment General Specs .....	15
13. Torque Chart .....	16
14. Contact US.....	16
15. Additional Notes .....	17

# 1. SERIAL NUMBER LOCATION

The model/serial number decal is located on the shroud assembly (cowl).

(Write model number)

(Write serial number)

The unit year of manufacturing can be determined by its serial number. So, keep this information handy at all times, use your unit serial number when ordering parts.

An engine owner's manual is also attached to every unit. Engine parts must be order from any authorized HONDA dealer, or other if different than HONDA. Refer to the engine owner's manual lo learn about specifications and part identification.

# 2. PARTS ORDERING PROCEDURE:

Parts must be ordered through your local distributor or online using our partner internet parts dealers online.

For more information, these are our support contacts.



All Dealers are welcome to send us an email to:

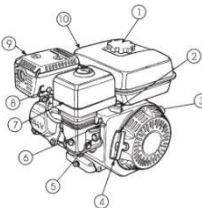
[sevice@btmequipment.com](mailto:sevice@btmequipment.com)



All Dealers are welcome to order parts via fax by dialing **956-462-2500**



All Dealers are welcome to order parts by dialing our Number **956-796-9411**



⑩ HONDA warranties and parts ordering must be through your Honda dealers. lease visit <https://engines.honda.com/dealer-locator> for more information.

**REMEMBER – You own the best. If repairs are needed use only OEM purchased parts from authorized distributors.**

## **ALWAYS HAVE READY:**

1. Dealer Account number
2. Dealer Name and Address
3. Shipping address and method of shipping if different than billing address.
4. Applicable model and serial number of machine(s).
5. Item part number(s), description, and quantity.

## **3. OPERATING INSTRUCTIONS**

This Operation manual contains only standard parts. Variations of these parts as well as other special accessories are not included. Contact your local distributor for assistance in identifying parts not included in this manual.

## **ASSEMBLY INSTRUCTIONS**

1. Remove the saw and all components from its shipping crate. You will see:
  - Preassembled Saw with no Blade, unless diamond blade was purchased separately and asked to be installed before shipping.
  - Handles will be attached but packed down for better shipping.

**Note: All installation hardware must be inserted into its respective location on the unit, reference parts breakdown for more details if needed.**

2. If saw is shipped double stack, using appropriated equipment, hold the upper saw from the frame, unbolt the upper saw from the supports, and bring the saw to the ground and then proceed to bring the lower saw to the ground, using the same appropriated equipment.



**Warning: failure to use proper lifting equipment could cause saw to fall and cause serious injury.**

3. If saw is shipped regular, using appropriated equipment, bring the saw to the ground from its shipping pallet.
4. Unbolt the handle control assembly, flip it over into the walk behind style, and proceed to bolt again and torque to 60 ft.-lbs.
5. Bring the saw up using the crank lift and lock at the desired position and lock handle.

## **ARBOR OR ENGINE SHEAVE INSTALLATION / REMOVAL**

1. Remove screws from the band guard and remove band guard.
2. Remove bands.
3. Remove set screws of pulley blade shaft.
4. Clean all parts before assembly.
5. To install the pulley, align it so that it is flush with the blade shaft.
6. Check the alignment of the pulleys with a ruler to reach between the two pulleys. The pulleys must be aligned with each other to an accuracy of 1/32".
7. Readjust the pulley on the blade shaft as necessary to achieve 1/32" twist alignment.
8. When the pulleys are aligned correctly, tighten the pushers.
9. Install and pre-tension the belts.

## **BLADE INSTALLATION / REMOVAL**



**IF BLADE GUARD IS TO BE REMOVED TO SERVICE BLADE, IT MUST BE REPLACED BEFORE RUNNING SAW. NEVER RUN SAW WITHOUT BLADE GUARD INSTALLED**

1. Turn lift/lower crank to raise saw. Lock crank in place with locking handle.
2. Disconnect Spark plug wire.
3. Remove the blade shaft nut and the outer collar of the blade with the cotter pin.
4. Clean and inspect arbor, blade, collars and bolts.
5. Verify that the inner blade collar is fully engaged with the shaft.  
NOTE: TCS uses 4" diameter collars.
6. Reinstall the blade on the shaft and place the outer guide with 3/8 pin, install the nut and tighten.
7. Be sure that blade is installed to rotate in correct direction and that the saw is set up for required RPM.
6. Wet cutting diamonds blades must be used with water. Turn water on BEFORE STARTING CUTTING.



## 4. SAFETY PRECAUTIONS



### WARNING



#### CALIFORNIA – Proposition 65 Warning

Engine exhaust and some of its constituents and some dust created by power sanding, sawing, grinding, drilling and other construction activities contains chemicals known to the State of California to cause cancer, birth defects and other reproductive harm.

Some examples of these chemicals are:

- Lead from lead-based paints
- Crystalline silica from bricks
- Cement and other masonry products
- Arsenic and chromium from chemically treated lumber

Your risk from these exposures varies, depending on how often you do this type of work. To reduce your exposure to these chemicals:

ALWAYS work in a well ventilated area, and work with approved safety equipment, such as dust masks that are specially designed to filter out microscopic particles.

**READ AND STUDY THE FOLLOWING SAFETY INFORMATION BEFORE ATTEMPTING TO OPERATE THIS EQUIPMENT. IN ADDITION, ENSURE THAT EVERY INDIVIDUAL WHO OPERATES OR WORKS WITH THIS EQUIPMENT IS FAMILIAR WITH THESE SAFETY PRECAUTIONS.**

**IT IS THE OPERATOR'S RESPONSIBILITY TO OPERATE OUR MACHINES ONLY WHEN WEARING THE PROPER PROTECTION RECOMMENDED BY THE OCCUPATIONAL SAFETY AND HEALTH ADMINISTRATION. HARM OR DEATH BY INHALING PARTICLES OR OTHER PHYSICAL INJURY MAY OCCUR IF THIS MACHINE IS OPERATED WITHOUT USING THE PROPER SAFETY GEAR, OR FOLLOWING THE APPROPRIATE PROCEDURES IN THIS MANUAL.**

**! WARNING !**

[www.P65warnings.ca.gov](http://www.P65warnings.ca.gov)  
 Engine exhaust and some of its constituents, and some dust created by power sanding, sawing, grinding, drilling and other construction activities contains chemicals known to the State of California to cause cancer, birth defects and other reproductive harm.

Some examples of these chemicals are:

- Lead from lead-based paints.
- Crystalline silica from bricks.
- Cement and other masonry products.
- Arsenic and chromium from chemically treated lumber.

Your risk from these exposures varies, depending on how often you do this type of work. To reduce your exposure to these chemicals: ALWAYS work in a well ventilated area, and work with approved safety equipment, such as dust masks that are specially designed to filter out microscopic particles.

040620

**! DANGER**

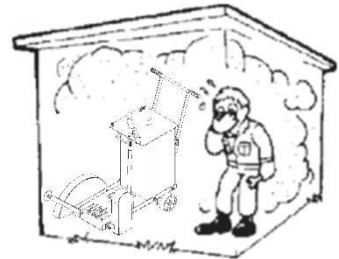


- THE ENGINE EXHAUST AND SOME OF ITS CONSTITUENTS FROM THIS PRODUCT CAN EXPOSE YOU TO CHEMICALS INCLUDING CARBON.
- TO MINIMIZE EXPOSURE, AVOID BREATHING EXHAUST. ONLY USE THIS PRODUCT IN WELL VENTILATED AREAS. FOR MORE INFORMATION VISIT:  
[www.P65warning.ca.gov](http://www.P65warning.ca.gov)

DE1700

**WARNING - LETHAL EXHAUST GAS!**

An internal combustion engine discharges carbon monoxide, which is a poisonous and odorless invisible gas. Death or serious illness may result if inhaled. Operate only in an area with good ventilation. **NEVER IN A CONFINED AREA!**



**WARNING - DANGEROUS FUELS!**

Use extreme caution when storing, handling and using fuels - they are highly volatile and explosive in the vapor state. Do not add fuel while engine is running. Stop and cool the engine before adding fuel.

**DO NOT SMOKE WHEN REFUELING!**

**SAFETY GUARDS**



It is the owner's responsibility to ensure **ALL GUARDS AND SHIELDS** are in place and in working order.

**IGNITION SYSTEMS**

Breakerless magneto and batteries ignition systems **CAN CAUSE SEVERE ELECTRICAL SHOCKS**, avoid contact with these components or their wiring.

### SAFE DRESS

**DO NOT WEAR** loose clothing, rings, wristwatches, etc., near machinery.

### NOISE PROTECTION

Wear O.S.H.A. specified hearing protection devices.

### FOOT PROTECTION

Wear O.S.H.A. specified steel tip safety shoes.

### HEAD PROTECTION

Wear O.S.H.A. specified safety helmets.

### EYE PROTECTION

Wear O.S.H.A. specified eyes shields, safety glasses, and sweat bands.

### DUST PROTECTION

Wear O.S.H.A. specified dust mask or respirator.



**REMEMBER! ALWAYS USE  
PERSONAL SAFETY  
EQUIPMENT.**

### OPERATOR

Keep children and bystanders off and away from the equipment.

For details on safety rules and regulations in the United States, contact your local Occupational Safety and Health Administration (O.S.H.A.) office. Equipment operated in other countries must be operated and serviced in accordance and compliance with any and all safety requirements of such country. The publication of these safety precautions is done for your information does not by the publication of these precautions, imply or in any way represent that these are the sum of all dangers present near equipment. If you are operating this unit it is your responsibility to ensure that such operation is in full accordance with all applicable safety requirements and codes. All requirements of the United States Federal Occupational Safety and Health Administration Act must be met when operated in areas that are under the jurisdiction of that United States Department.

## 5. SAFETY NOTICE & DECALS



### IMPORTANT NOTICE

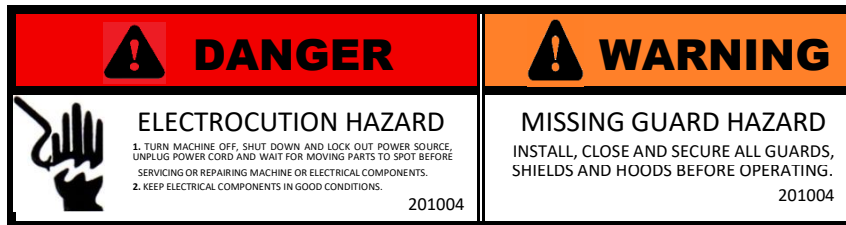
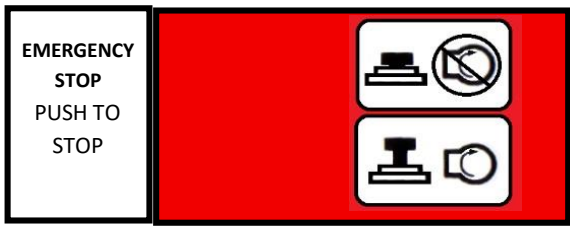


The "**SAFETY ALERT SYMBOL**" is used to call attention to items or operations that may be dangerous to those operating or working with this equipment. These symbols can be found throughout the manual and on the unit itself. Please read these warnings and cautions carefully



# READ SAFETY DECALS CAREFULLY

Carefully read and follow all safety decals. Keep them in good conditions. If they become aged, replace as required. If repainting, **REPLACE ALL** decals. Decals are available from your authorized Distributors. Decals are not shown to scale.



## 6. BEFORE OPERATING

- **REMEMBER!** It is the owner's responsibility to communicate information on the safe use and proper operation of this unit to the operators.
- Before operating, review SAFETY PRECAUTIONS on this manual.
- Familiarize yourself with the operation of the unit and confirm that all controls function properly BEFORE starting engine.
- Locate the killing
- Make sure hands, feet, and clothing are at a safe distance from any moveable parts prior to starting.
- Shrouds and grids are provided to protect the operator or structures in close proximity to rotating hot engine parts. It is the **RESPONSABILITY OF THE OPERATOR** to see that they are properly secured.
- OIL LEVEL - Check the oil level in the engine. For more information, see "Lubrication" under the engine "Owner's Manual" the "Maintenance" section of this manual.

All units come without oil on **ENGINE**. Running an engine without lubrication may damage this unit.

- AIR CLEANER - Check to ensure elements are in good condition and properly installed.
- Review every decal with the OPERATOR.
- FUEL SUPPLY – Engines require an automotive grade of clean, fresh, unleaded or regular gasoline. **All units come WITHOUT gasoline, oil or any other fluid.**
- FUEL FILTER - Check to ensure element is in good condition... Replace if it is clogged or damaged.
- LUBRICATION POINTS - Grease wheels (4), arbor shaft bearings (2) daily.
- POSITION – The only operating position for this saw is between the handle bars at the rear of the saw. If the operator must leave this position the engine must be shut down.
- SPECTATORS – Keep all personnel/spectators away from saw while cutting. Spinning diamonds blades can throw segments; abrasives blades can crack.
- switch and assure you know how to STOP the unit.

**REMEMBER!** It is the owner's responsibility to communicate information on the safe use and proper operation of this unit to the operators.

## 7. OPERATION INSTRUCTIONS

Prior to starting engine, make sure all guards are in place and secured and that the blade guard is at least 1" away from the cutting area.

**IMPORTANT**  
Engine warranty is void if the engine is run without oil.

### Check Gas engine

1. Open Pull the stop switch on the engine shroud to its "Out" position.
2. Move the engine throttle control to the "FAST" position.
3. Choke the engine X3 times for warming, if necessary.
4. Pull the starter string.
5. After the engine starts, move the choke lever to the open position, move the throttle level to the "IDLE" position and let the engine warm-up for one or two minutes.
6. the fuel valve.

### OPERATING

1. Make sure the blade guard is at least 1" away from cutting area "IDLER" position.
2. Make sure the guards are securely locked before running engine.
3. Move the switch on the motor to the "on" position.



**DO NOT OPERATE THIS UNIT WITH OUT BLADE GUARD!**

4. SLOWLY LOWER BLADE INTO CUTTING. Lower saw blade until it just touches the pavement by turning the manual lift crank clockwise.
5. From this point, each ¼ turn of the lift/lower crank equals ¼" depth of cut.
6. **IT IS RECOMMENDED THAT SAW CUTS BE MADE BY 2" TO 3" INCREMENTS AT A TIME.GREATER DEPTHS OF CUT DAMAGE BLADE.**
7. Slowly push saw forward to desired cutting area.
8. Cut only in straight line using the saw pointer
9. To stop the engine, make sure to let the engine idle before stopping by using the crank lift handle to raise the saw height.

10. Push in the engine stop switch on the saw.
11. Close the fuel valve.
12. Discharge the water after to clean excess material.
13. Additional cleaning may be needed.

## 8. ADDING FLUIDS AND TOWING

### GAS ENGINE

1. Move the engagement lever to the "IDLER" position and lock saw.
2. Pull off the engine stop switch on the saw console.
3. Close the fuel valve.
4. Add oil to continue operation / Drain oil if need oil change.
5. Add gasoline if needed.



### STOP THE ENGINE OR ELECTRIC MOTOR BEFORE:

1. Leaving equipment unattended for any amount of time.
2. Making any repairs or adjustments to the unit.

### IF LIFTING/LOWERING EQUIPMENT ALWAYS:

1. Leave lift/lower crank handle in locked position.
2. Stop the engine or electric motor.
3. REMOVE ALL BLADES (leave blade arbor, guards in place)
4. Lift the cutting guide to avoid any contact with the head.
5. Secure any other hardware on the saw.
6. Make sure you use appropriated lifting equipment rated to lift the saw. Have in mind the saw weight.
7. Do not position yourself where you could possibly be pinched / caught between saw and some other obstacle.

**REMEMBER! ALWAYS USE  
PERSONAL SAFETY  
EQUIPMENT.**

### TRANSPORTING

1. Move saw on the jobsite by hand pushing. Do not tow the saw with another vehicle. The saw may be damage if towed.

### CUTTING

1. Must know what you are sawing, before making any cuts. Be aware of all utilities i.e. gas/pipe lines, electricity, etc. take necessary precautions to prevent injury /death.

**REMEMBER! ALWAYS USE  
PERSONAL SAFETY  
EQUIPMENT.**

### STORING

1. Drain fuel tank.
2. Remove blade, collar, and arbor nuts from both ends of arbor.
3. Clean arbor shaft, threats, blade collars and arbor nuts.
4. Lube all bearings
5. Empty water system to avoid corrosion
6. Clean all moving parts with WD-40 lubricant.
7. Cover saw for protection.
8. Lower saw completely.

## 9. SERVICE INSTRUCTIONS

- Never service or lubricate the unit engine while running.
- After servicing the unit, restore and fasten all guards, shields, and covers to their original positions.
- Never drain oil into the ground, into open streams, or down sewage drains.

### ENGINE

See engine owner's manual maintenance schedule.

If lost please visit <https://engines.honda.com/parts-and-support/owners-manuals> for more information.

### ARBOR SET UP

1. Set each belt-arbor tension for 1/4" deflection with a 6 lbs. load in middle of belt span. Over tension or under tensioning belts will cause premature belt failure.
  - To adjust belt tension, loosen hex nut or belt tension bolt (two places).
  - To increase belt tension, turn tension bolts clockwise.
  - To decrease belt tension, turn tension bolts counter clockwise.

After adjusting belts, make sure engine mount is level to saw frame. Secure position of tension bolts by tightening hex nut (two places).

2. When replacing arbor shaft or pillow block bearings, always adjust bearings so arbor shaft runs PARALELL to rear axle. Torque bearings bolts to 60 ft. lbs.



**CLEAN AND INSPECT BLADE COLLARS EACH TIME BLADE IS INSTALLED.  
REPLACE DAMAGED PARTS. TO REPLACE BLADE PIN, USE ARBOR PRESS  
DO NOT USE A HAMMER.**

## **LUBRICATION**

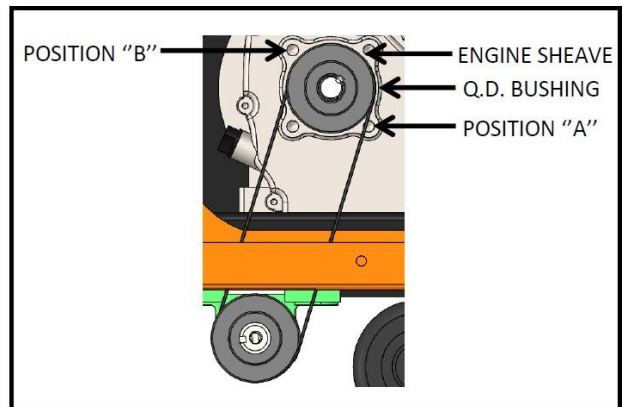
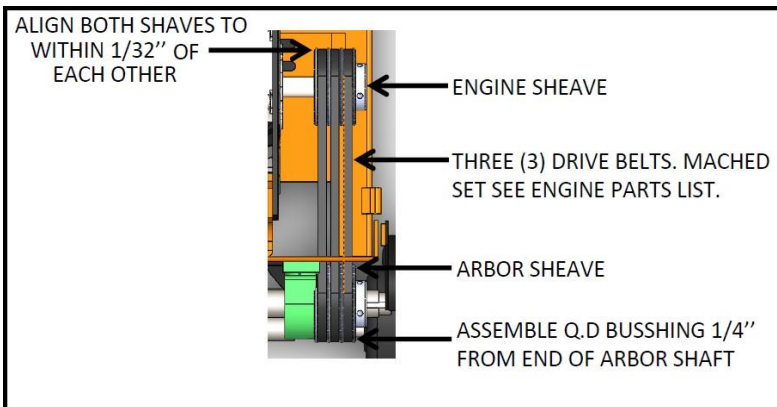
1. Grease wheels (4), arbor shaft bearings (2) daily. Use high quality gun grease.
2. Check water system for cleaning. 2 to 5 gallons per minute is required to for wet cutting. Use  $\frac{3}{4}$ " ID hose to feed water to saw.

## **BLADE**

1. Clean blade collars before installing new blade; inspect all blades before installing on saw. Ring test abrasive blades to make sure they are free from cracks; do not use abrasive blades that have been damaged i.e. missing blotters cracked or missing sections. Inspect diamonds blades to make sure they don't have missing segments or stress cracks.
2. Use only blades rates to operate arbor speed (3000 RPM). Use only proper size blade guards on your saw.

## **10.MAINTENANCE SCHEDULE**

1. Check all hardware after the first 5 hours of use, the follow the maintenance schedule.
2. Check oil daily. Change after 5 (five) hours of use and every 25 hours after first change.  
Refer to engine manual for oil grades.
- 3.Grease wheels (4) and arbor shaft (2) daily. Use high quality gun grease, Kendall "SHP High temp" or equal.
- 4.-Clean air filter and foam pre-cleaner daily. More often if dry cutting. Always use foam element pre-cleaner over paper cartridge. Never run engine with clogged or missing air filter.
- 5.-Re-check arbor belt tension after first 25 hours of operation. Set each belt for  $\frac{1}{4}$ " deflection with a 6lb load in middle of belt span. Over tensioning or under tensioning belts will cause premature belt fatigue. To adjust, loosen hex nut on belt tension bolt (2 places). To increase belt tension, turn tension bolts clockwise. To decrease belt tension, turn tension bolts counter clockwise. After adjusting belts make sure engine mount plate is LEVEL to frame. Secure position of tension bolts by tightening hex nuts.



6.-Re-torque the Blade and collar hardware after the first 25 hours of usage, and then follow the maintenance schedule.

7.-Follow the maintenance schedule.

**REMEMBER! ALWAYS USE PERSONAL SAFETY EQUIPMENT.**

	<i>Maintenance</i>	<i>Each use</i>	<i>Every 20 hours</i>	<i>Every 50 hours</i>	<i>Every 100 hours</i>	<i>Yearly</i>
Engine	Refer to engine operator/owner manual	X				X
Air Cleaner	Refer to engine operator/owner manual	X				X
Oil	Oil change		X			
Bearings	Grease Arbor Shaft Bearings	X				X
V-Belts	Check for excessive wear		X			X
Arbor	Recheck arbor-belt tension		X			
Hardware	Check and tighten 1,2		X	X		X
Wheels	Grease wheels and check wear	X				X

# 11.- REPLACEMENT

## Parts

## Tolerance or Replacement Cycle

### Engine Components

- ✓ Refer to your engine manufacturer’s Owner’s Manual

### V-Belts

- ✓ Replace if stretched to the point that the idler does not work properly. Replace the V-belts if they are cracked or torn.

### Blades

- ✓ Replace if blade present any missing segments or stress cracks.

### Arbor

- ✓ Replace arbor if: blade become loose or saws blades break constantly.

### Hardware

- ✓ Re-torque all bolts after the first eight hours of operation and check hardware every 25 hours. Replace any worn or damaged hardware as needed. Replacement hardware should be grade 5 and zinc plated.

### Safety Decals

- ✓ Replace if they become aged, damaged or cannot be easily read.

# 12.-EQUIPMENT SPECS

MODEL	JCS	JCST	TCS
<b>MAX Blade Capacity in (cm)</b>	18” (45)	18” (45)	14” (35.56)
<b>Operating Weight lbs. (Kg)</b>	264 lbs. (120)	319 lbs. (145)	180 lbs. (82)
<b>Front Wheel Size in (cm)</b>	R-2.5” W-2” (6.3) (5)	R-2.5” W-2” (6.3) (5)	4” x ½” (10.16) x (1.27)
<b>Rear Wheel Size in (cm)</b>	R-3” W-2” (7.6) (5)	R-3” W-2” (7.6) (5)	8 ¼” x 1 ¾” (20.95) x (4.5)
<b>Blade Collar Dia. in (cm)</b>	3 ½” (8.9)	3 ½” (8.9)	3 ½” (8.9)
<b>Dimensions LxWxH in (cm)</b>	42”x24”x39” (106)x(60)x(99)	45”x24”x39” (114)x(60)x(99)	39 -3/8” x 27 1/8” x 40” (100.01) x (68.9) x (101.6)
<b>Drive System</b>	(3) cog V Belt	(4) cog V Belt	10PK698
<b>Water Tank Capacity Gal (Lt)</b>	10 gal (40L)	N/A	2 gal (8L)
<b>Engine Power</b>	GX240 - GX390 Honda	GX240 - GX390 Honda	GX240QA2 HONDA
<b>Air Cleaner Type</b>	Cyclone	Cyclone	N/A
<b>Classification</b>	Walk Behind	Self-Propelled	Walk Behind
<b>Blade Guard</b>	1 Piece	1 Piece	1 Piece



# 13. TORQUE CHART

## APROXIMATE TIGHTENING TORQUE

<u>SIZE</u>	<u>GRADE 2</u>	<u>GRADE 5</u>	<u>GRADE 8</u>
# 10-24	21 in-lbs	32 in-lbs	45 in-lbs
# 10-32	23 in-lbs	36 in-lbs	51 in-lbs
1/4-20	49 in-lbs	76 in-lbs	9 in-lbs
1/4-28	56 in-lbs	87 in-lbs	10 in-lbs
5/16-18	8 in-lbs	13 in-lbs	18 in-lbs
5/16-24	9 in-lbs	14 in-lbs	20 in-lbs
3/8-16	15 in-lbs	23 in-lbs	33 in-lbs
3/8-24	17 in-lbs	26 in-lbs	37 in-lbs
7/16-14	24 in-lbs	37 in-lbs	52 in-lbs
7/16-20	27 in-lbs	41 in-lbs	58 in-lbs
1/2-13	37 in-lbs	57 in-lbs	80 in-lbs
1/2-20	41 in-lbs	64 in-lbs	90 in-lbs
9/16-12	53 in-lbs	82 in-lbs	115 in-lbs
9/16-18	59 in-lbs	82 in-lbs	129 in-lbs
5/8-11	73 in-lbs	112 in-lbs	159 in-lbs
5/8-18	83 in-lbs	112 in-lbs	180 in-lbs
3/4-10	129 in-lbs	223 in-lbs	282 in-lbs
3/4-16	144 in-lbs	200 in-lbs	315 in-lbs
7/8-9	125 in-lbs	322 in-lbs	454 in-lbs
7/8-14	138 in-lbs	355 in-lbs	501 in-lbs

## APROXIMATE TIGHTENING TORQUE

<u>SIZE</u>	<u>GRADE 2</u>	<u>GRADE 5</u>	<u>GRADE 8</u>
1-8	188 ft-lbs	483 ft-lbs	682 ft-lbs
1-12	205 ft-lbs	529 ft-lbs	746 ft-lbs
1-14	210 ft-lbs	541 ft-lbs	764 ft-lbs
1-1/8-7	266 ft-lbs	596 ft-lbs	966 ft-lbs
1-1/8-12	297 ft-lbs	668 ft-lbs	1083 ft-lbs
1-1/4-7	375 ft-lbs	840 ft-lbs	1363 ft-lbs
1-1/4-12	415 ft-lbs	930 ft-lbs	1509 ft-lbs
1-3/8-6	491 ft-lbs	1102 ft-lbs	1787 ft-lbs
1-3/8-12	559 ft-lbs	1254ft-lbs	2034 ft-lbs
1-1/2-6	652 ft-lbs	1462ft-lbs	2371 ft-lbs
1-1/2-12	734 ft-lbs	1645ft-lbs	2668 ft-lbs
M 6	3 ft-lbs	4 ft-lbs	7 ft-lbs
M 8	6 ft-lbs	10 ft-lbs	18 ft-lbs
M 10	10 ft-lbs	20 ft-lbs	30 ft-lbs

### CONVERSIONS

- in - lbs x 0.083 = ft-lbs
- ft - lbs x 12 = in-lbs
- ft - lbs x 0.1383 = kg-m
- ft - lbs x 1.3558 = N-m

## 14. Contac Us.

### *We are at your service*

We have established a network of reputable distributors with trained mechanics and full facilities for maintenance and rebuilt, and to carry an adequate stock parts in all areas of the country. Their sales engineers are available for professional consultation. If you cannot locate your nearest distributor contact our sales branch listed below so we can point you in the right direction.

Phone: 956-796-9411

Fax: 956-462-2500

service@btmequipment.com



