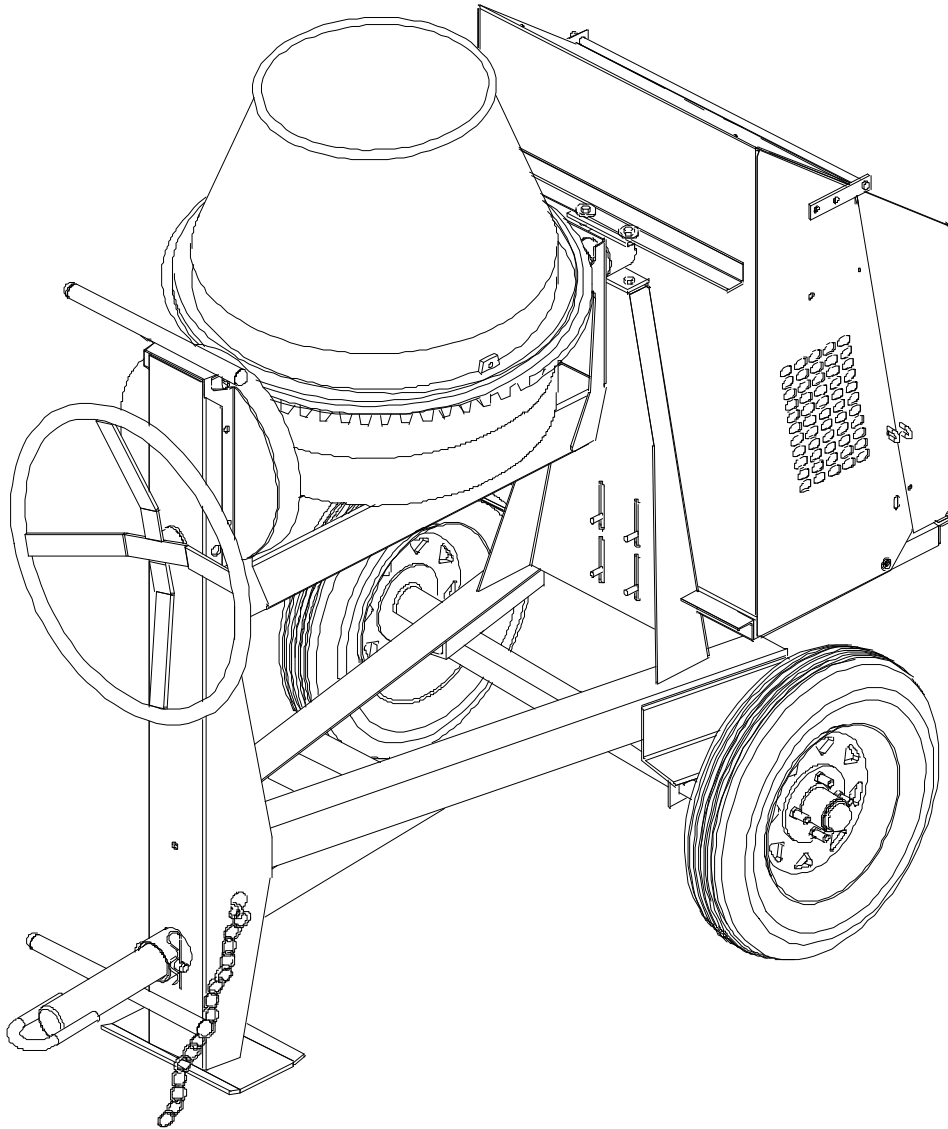


# REPAIR PARTS MANUAL CONCRETE MIXERS C9P



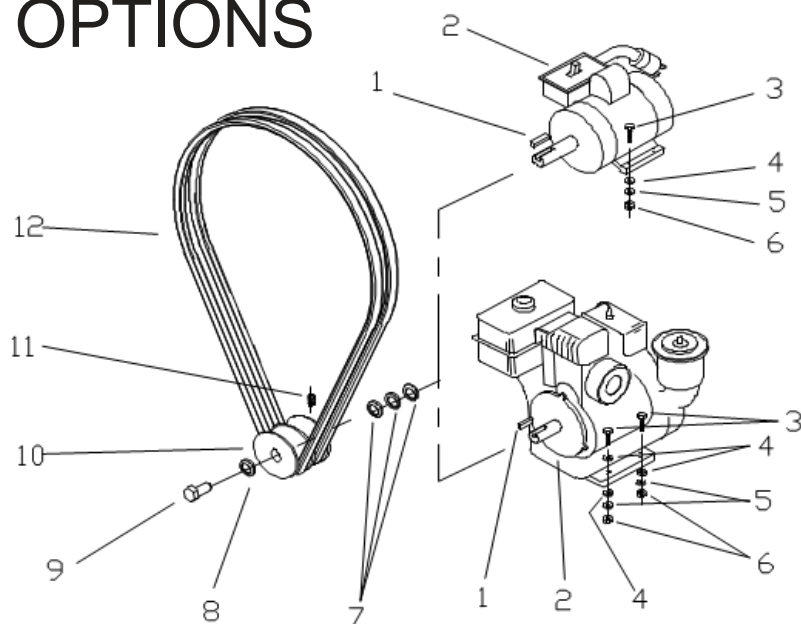


# C9P CONCRETE MIXERS

Ref	Part	Description	Qty
1	226640	Bolt, HexHd, 1/2 x 1-1/4	13
2	174470	Washer, 1/2	12
3	0000RF01GA	Gancho cofre	2
4	226650	Bolt, HexHd, 1/2 x 1-1/2	8
5	176250	Washer Spring 1/2	21
6	0906PL01AS	Small blade	3
7	TCCS012GAL	Nut, 1/2 Nylon lock	21
8	0100SC01AS	Paddle	3
9	0906CO01TQ	WA, Drum C9P	1
10	227814	Nut, 3/8 Nylon Lock	30
11	176230	Washer, Spring, 3/8	34
12	226230	Bolt, HexHd, 3/8 x 1-1/2	24
13	0900FG01TQ	Gear Ring Section	1
14	0900CO01GA	Assy, Hood	1
15	226210	Bolt, HexHd, 3/8 x 1	6
16	174986	Washer, 3/8	2
17	0900CO01CH	WA, Swivel Bracket	1
18	0000BA6205	Brg, Ball 6205	2
19	SM00156EXT	Retaining ring 15/16	1
20	0900FG02YU	Pinion (14 Th)	1
21	0906CR01YU	Shaft, Bowl C9P	1
22	496760	Gear, Tilting	1
23	247032	Dome Plug	2
24	496775	Lever Assy	1
25	227920	Nut, Hex, 1" UNF	1
26	176290	Washer, Spring 1"	1
27	465700	WA, Yoke C9P	1
28	0900CR01YU	Drive Shaft	1
29	0905CC01YU	Key, 1/4 x 2	2
30	0900FG01YU	Pulley, 2BK 190H	1

Ref	Part	Description	Qty
31	239657	V - Belt, 5L-730	2
32	496720	Assy, Base Plate	1
33	431081	Wheel & Tire Assy, 5.5 x 13	2
34	0900CO01RD	Hub End - Optional	2
35	431092	Axle, Rubber Torsion - 4 Bolt	1
36	0905CO01CH	WA, Frame	1
37	TOCDR012134	Bolt, HexHd, 1/2 x 1-3/4	1
38	CA03056GAL	Safety Chain 5/16	1
39	431469	Draw Bar, Pintle Hitch	std
40	431470	Draw Bar, 2" Ball Hitch	opt
41	0900CR01RD	Pin, Lock	1
42	134955	Clip, Hitch Pin	1
43	110690	Grease Ftg St 1/8Npt x 1-3/4	1
44	135216	Spring Pin, Slotted, 5/16 x 2	1
45	496779	WA, Handwheel	1
46	412551	Tilting Shaft	1
47	496778	Guard, Tilt Gear	1
48	136000	Gripper Clip, 5/16	2
49	TOCDV038100	Tornillo punta broca 3/8 x 1	2
50	412420	Pinion, Tilting	1
51	0000BA2788/20	Bearing, Cup, 2788/20	2
52	0000BA2788	Bearing, Cone,2788	2
53	-	-	-
54	-	-	-
55	0900FG02TQ	Dust Cap	1
56	TCCS034GAL	Nut, 3/4 Nylon Lock	1
57	RNRX034GAL	Washer, Spring, 3/4	1
58	TOCDR034312	Bolt, HexHd, 3/4 x 3-1/2	1
59	TCCS012GAL	Lock nut, 1/2 - Optional	4
60	0900CR02RD	Clamp, U - Optional	2
61	0900CO02RD	Axle Assy- Optional	1

# DRIVE KIT OPTIONS



Ref	Part	Description	5 HP	9 HP	Electric
1	432340	Key, 1/4 x 1-5/8		1	N/R
	432050	Key, 3/16 x 1-5/8	1		
2	202003	Engine, 9 Hp Honda		1	
	201920	Engine, 8 Hp B&S		1	
	202004	Engine, 5.5 Hp Honda	1		
	201912	Engine, 5 Hp B&S	1		
	464959	Electric Motor, 1 Hp & Switch Assy			1
	464958	Electric Motor, 1.5 Hp & Switch			1
	464957	Electric Motor, 2 Hp & Switch Assy			1
3	225980	Bolt, HexHd, 5/16 x 1			4
	119810	Bolt, HexHd, 5/16 x 1-3/4	4		
	226240	Bolt, HexHd, 3/8 x 1-3/4		4	
4	174986	Washer, 3/8		6	
	174990	Washer, 5/16	6		4
5	178220	Washer, Spring, 5/16	4		4
	176230	Washer, Spring, 3/8		4	
6	227820	Nut, Hex, 5/16	4		4
	227830	Nut, Hex, 3/8		4	
7	228007	Washer, 1		3	
8	174470	Washer, 1/2		1	
9	226495	Bolt, HexHd, 7/16 x 1, GB PL		1	
10	412482	Pulley, 2BK 30 x 5/8			0.5-1.5
	412483	Pulley, 2BK 30 x 7/8			1-2 Hp
	459995	Pulley, Clutch, 2 x 4.125 x 1, DBL		1	
	496054	Pulley, 2BK 25 x 3/4	1		
	POFG414058	* Pulley, 4-1/4 x 5/8			1
	POFG212034	* Pulley, 2-1/2 x 3/4	1		
	POFG212100	* Pulley, 2-1/2 x 1		1	
11	148300	Set Screw, 5/16 x 3/8	1	1	1
12	239657	V - Belt, 5L - 730	1	2	2



P.O. BOX 234, STATION L  
WINNIPEG, MANITOBA  
CANADA R3H 0Z5

PHONE (800) 661-0304  
PHONE: (204) 885-5800  
FAX (204) 885-7557

WORLD WIDE WEB  
[www.crownequip.com](http://www.crownequip.com)